

Overload thermal relays Ex9R



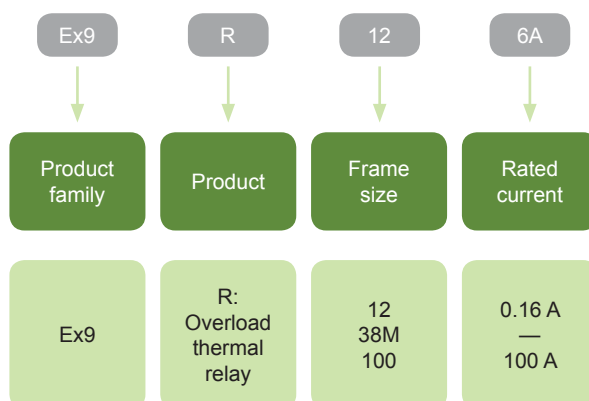
- Overload thermal relays according to IEC / EN 60947-4-1
- Three frame sizes with rated current up to 100 A at 690 V AC-3
- 3-pole versions
- Tripping class 10A
- For direct mounting onto Ex9C(S/i) contactors series or as a stand-alone device
- Suitable mainly for motor protection against overload or phase lost
- Mounting onto connected contactor or onto device rail (DIN) 35 mm by means of AD5. adaptor

Ex9R overload thermal relays contactors are designed for protection of motors mainly. These relays can be either combined directly with contactors of Ex9CS and Ex9C(i) series or used as a stand-alone device with AD5. adaptor. Relays are available in three frame sizes for rated non-reduced currents from 0.16 — 100 A.

Size Ex9R12 is designed to match miniature contactors Ex9CS. Version Ex9R38M can be mounted onto contactors Ex9C18(i) and with spacer (in the scope of delivery of the relay) also with size Ex9C38(i). The last size Ex9R100 can be combined with Ex9C65(i) and Ex9C100(i) directly.

Ex9R relays are equipped with 1 NO and 1 NC auxiliary contacts.

Type Key



Certification marks



Overload thermal relays Ex9R

Design



Ex9R12
Frame size 12



Ex9R38M
Frame size 38



Ex9R100
Frame size 100

Mounting



Direct mounting
onto contactor



Adaptor AD5.



Stand-alone device
with adaptor AD5.

Overload thermal relays Ex9R

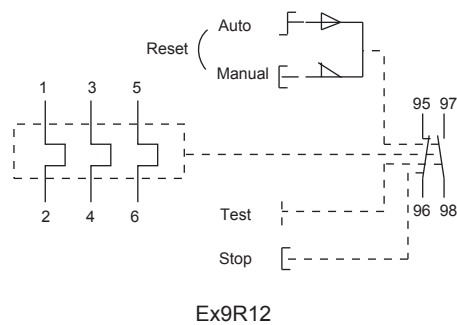
Frame size 12

- Overload thermal relays
- For direct mounting onto Miniature Contactors Ex9CS
- Stand-alone device for mounting onto device (DIN) rail 35 mm by means of combination with adaptor AD51
- Automatic and manual reset function
- Tripping class 10A



Current setting range I_n	For contactor frame size	Poles	Auxiliary contacts	Article No.	Type	Packing
0.1 - 0.16 A	Mini (S06, S09, S12)	3	1 NO + 1 NC	101359	Ex9R12 0.16A	1/80
0.16 - 0.25 A	Mini (S06, S09, S12)	3	1 NO + 1 NC	101360	Ex9R12 0.25A	1/80
0.25 - 0.4 A	Mini (S06, S09, S12)	3	1 NO + 1 NC	101361	Ex9R12 0.4A	1/80
0.4 - 0.63 A	Mini (S06, S09, S12)	3	1 NO + 1 NC	101362	Ex9R12 0.63A	1/80
0.63 - 1 A	Mini (S06, S09, S12)	3	1 NO + 1 NC	101363	Ex9R12 1A	1/80
1 - 1.6 A	Mini (S06, S09, S12)	3	1 NO + 1 NC	101364	Ex9R12 1.6A	1/80
1.6 - 2.5 A	Mini (S06, S09, S12)	3	1 NO + 1 NC	101365	Ex9R12 2.5A	1/80
2.5 - 4 A	Mini (S06, S09, S12)	3	1 NO + 1 NC	101366	Ex9R12 4A	1/80
4 - 6 A	Mini (S06, S09, S12)	3	1 NO + 1 NC	101367	Ex9R12 6A	1/80
5.5 - 8 A	Mini (S06, S09, S12)	3	1 NO + 1 NC	101368	Ex9R12 8A	1/80
7 - 10 A	Mini (S06, S09, S12)	3	1 NO + 1 NC	101369	Ex9R12 10A	1/80
9 - 12 A	Mini (S06, S09, S12)	3	1 NO + 1 NC	101370	Ex9R12 12A	1/80

Wiring diagram



Overload thermal relays Ex9R

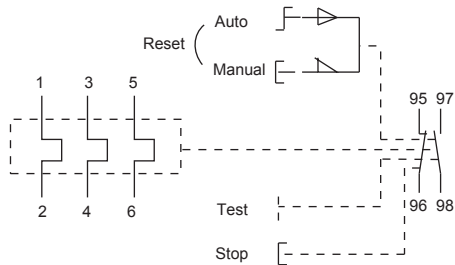
Frame size 38

- Overload thermal relays
- For direct mounting onto Contactors Ex9C18(i) and Ex9C38(i) (with included spacer)
- Stand-alone device for mounting onto device (DIN) rail 35 mm by means of combination with adaptor AD52
- Automatic and manual reset function
- Tripping class 10A



Current setting range I_n	For contactor frame size	Poles	Auxiliary contacts	Article No.	Type	Packing
2.5 - 4 A	18 (09, 12, 18), 38 (25, 32, 38)	3	1 NO + 1 NC	101371	Ex9R38M 4A	1/80
4 - 6 A	18 (09, 12, 18), 38 (25, 32, 38)	3	1 NO + 1 NC	101372	Ex9R38M 6A	1/80
5.5 - 8 A	18 (09, 12, 18), 38 (25, 32, 38)	3	1 NO + 1 NC	101373	Ex9R38M 8A	1/80
7 - 10 A	18 (09, 12, 18), 38 (25, 32, 38)	3	1 NO + 1 NC	101374	Ex9R38M 10A	1/80
9 - 13 A	18 (09, 12, 18), 38 (25, 32, 38)	3	1 NO + 1 NC	101375	Ex9R38M 13A	1/80
12 - 18 A	18 (09, 12, 18), 38 (25, 32, 38)	3	1 NO + 1 NC	101376	Ex9R38M 18A	1/80
16 - 24 A	18 (09, 12, 18), 38 (25, 32, 38)	3	1 NO + 1 NC	101377	Ex9R38M 24A	1/80
23 - 32 A	18 (09, 12, 18), 38 (25, 32, 38)	3	1 NO + 1 NC	101378	Ex9R38M 32A	1/80
30 - 38 A	18 (09, 12, 18), 38 (25, 32, 38)	3	1 NO + 1 NC	101379	Ex9R38M 38A	1/80

Wiring diagram



Ex9R38

Overload thermal relays Ex9R

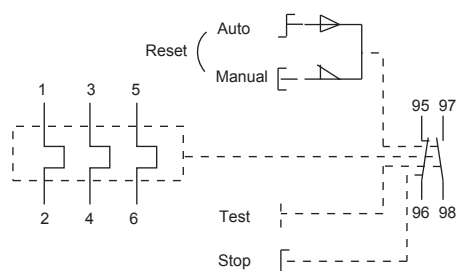
Frame size 100

- Overload thermal relays
- For direct mounting onto Contactors Ex9C65(i) and Ex9C100(i) (with included spacer)
- Stand-alone device for mounting onto device (DIN) rail 35 mm by means of combination with adaptor AD53
- Automatic and manual reset function
- Tripping class 10A



Current setting range I_n	For contactor frame size	Poles	Auxiliary contacts	Article No.	Type	Packing
23 - 32 A	65 (40, 50, 65), 100 (80, 100)	3	1 NO + 1 NC	101380	Ex9R100 32A	1/24
30 - 40 A	65 (40, 50, 65), 100 (80, 100)	3	1 NO + 1 NC	101381	Ex9R100 40A	1/24
37 - 50 A	65 (40, 50, 65), 100 (80, 100)	3	1 NO + 1 NC	101382	Ex9R100 50A	1/24
48 - 65 A	65 (40, 50, 65), 100 (80, 100)	3	1 NO + 1 NC	101383	Ex9R100 65A	1/24
55 - 70 A	65 (40, 50, 65), 100 (80, 100)	3	1 NO + 1 NC	101384	Ex9R100 70A	1/24
63 - 80 A	65 (40, 50, 65), 100 (80, 100)	3	1 NO + 1 NC	101385	Ex9R100 80A	1/24
80 - 100 A	65 (40, 50, 65), 100 (80, 100)	3	1 NO + 1 NC	101386	Ex9R100 100A	1/24

Wiring diagram



Ex9R100



Overload thermal relays Ex9R up to 500 A



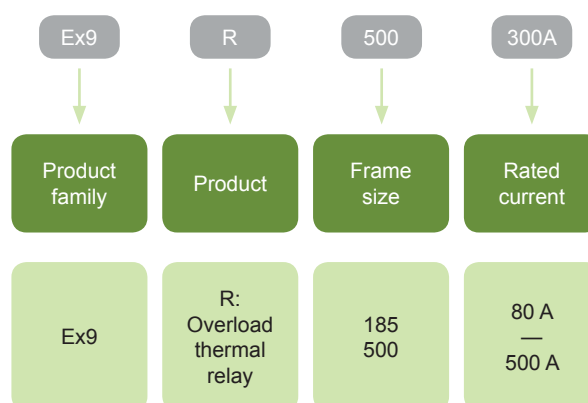
- Overload thermal relays according to IEC / EN 60947-4-1
- Two frame sizes with rated current up to 500 A at 690 V AC-3
- 3-pole versions
- Tripping class 10A
- For direct mounting onto Ex9C contactors or as a stand-alone device with AD adaptor
- Suitable mainly for motor protection against overload or phase lost

Ex9R overload thermal relays contactors are designed for protection of motors mainly. These relays can be either combined directly with contactors of Ex9C115-500 series or used as a stand-alone device with AD5 adaptor. Relays are available in two frame sizes for rated non-reduced currents from 80 — 500 A.

Size Ex9R185 is designed to match contactors of frame size 185 (Ex9C115-185). Version Ex9R500 can be mounted onto contactors of 300 (Ex9C225-300) frame size and also with size 500 (Ex9C400-500).

Ex9R relays are equipped with 1 NO and 1 NC auxiliary contacts as the standard.

Type Key



Certification marks



Overload thermal relays Ex9R up to 500 A

Design



Ex9R185
Frame size 185



Ex9R500
Frame size 500

Mounting



Direct mounting
onto Ex9C contactor



Stand-alone device
with adaptor AD5.

Overload thermal relays Ex9R up to 500 A

Frame size 185

- Overload thermal relays
- For direct mounting onto Ex9C115-185 contactors
- Stand-alone device for mounting onto panel by means of combination with adaptor AD54
- Automatic and manual reset function
- Tripping class 10A



Current setting range I_r	For contactors of frame size	Poles	Auxiliary contacts	Article No.	Type	Packing
80 - 115 A	185 (115, 165, 185)	3P	1 NO + 1 NC	106326	Ex9R185 115A	1/8
110 - 150 A	185 (115, 165, 185)	3P	1 NO + 1 NC	106327	Ex9R185 150A	1/8
140 - 185 A	185 (115, 165, 185)	3P	1 NO + 1 NC	106328	Ex9R185 185A	1/8

Frame size 500

- Overload thermal relays
- For direct mounting onto Ex9C225-500 contactors
- Stand-alone device for mounting onto panel by means of combination with adaptor AD55
- Automatic and manual reset function
- Tripping class 10A



Current setting range I_r	For contactors of frame size	Poles	Auxiliary contacts	Article No.	Type	Packing
160 - 225 A	300 (225, 265, 300) 500 (400, 500)	3P	1 NO + 1 NC	106329	Ex9R500 225A	1/8
210 - 300 A	300 (225, 265, 300) 500 (400, 500)	3P	1 NO + 1 NC	106330	Ex9R500 300A	1/8
280 - 400 A	300 (225, 265, 300) 500 (400, 500)	3P	1 NO + 1 NC	106331	Ex9R500 400A	1/8
380 - 500 A	300 (225, 265, 300) 500 (400, 500)	3P	1 NO + 1 NC	106332	Ex9R500 500A	1/8

Wiring diagram

