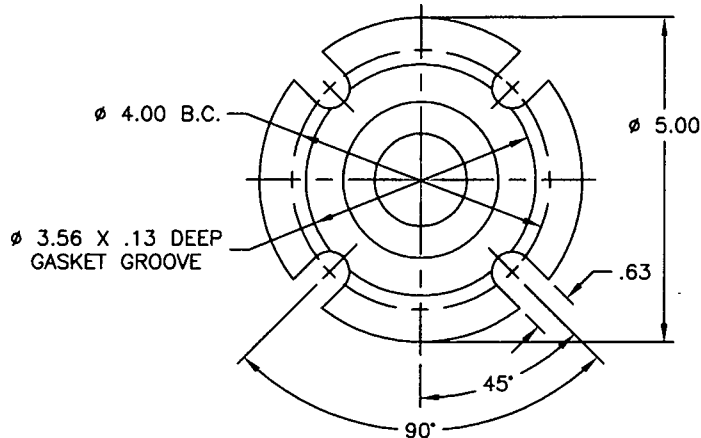


NOTICE
THIS DRAWING IS THE PROPERTY OF QUALITROL COMPANY LLC AND IS LOANED ONLY ON THE CONDITION THAT IT WILL BE USED TO FACILITATE THE PURPOSE FOR WHICH INTENDED AND NOT BE REPRODUCED, COPIED OR OTHERWISE DISPOSED OF, AND IS NOT TO BE USED IN WHOLE OR PART FOR FURNISHING INFORMATION RELATIVE TO THE MAKING OF DRAWINGS, PARTS APPARATUS OR PARTS THEREOF, EXCEPT BY WRITTEN ORDER FROM QUALITROL COMPANY LLC.

MODEL NO. 910-014

NOTES:

1. MEETS QUALITROL PRODUCT PERFORMANCE SPECIFICATION PPS-9.
2. FOR GAS SPACE INSTALLATION ONLY
3. UNIT MUST BE MOUNTED VERTICALLY WITH VENT UP AS SHOWN.

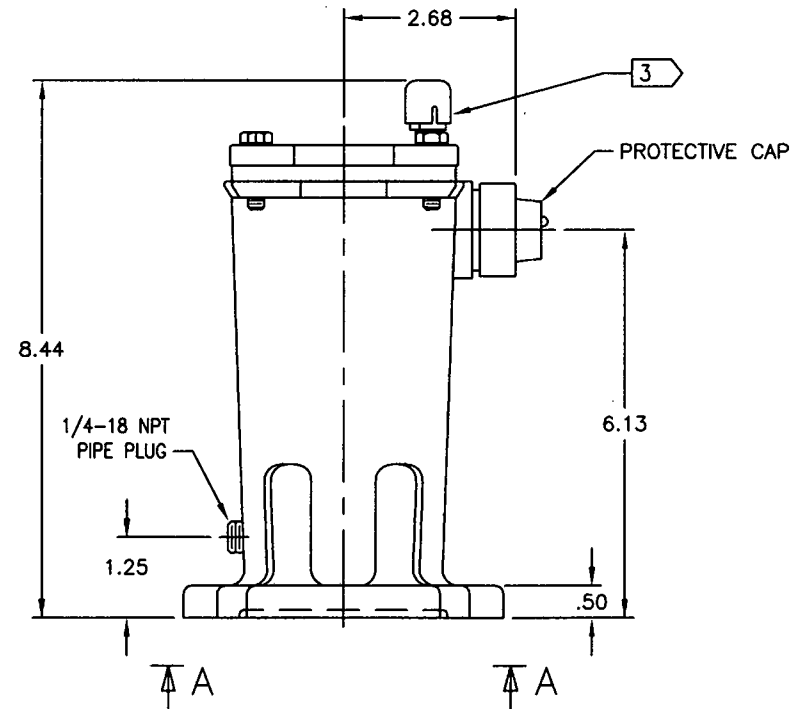
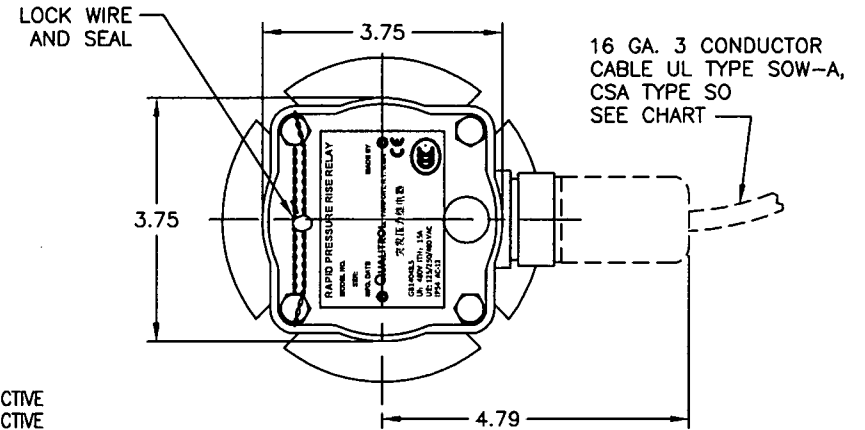
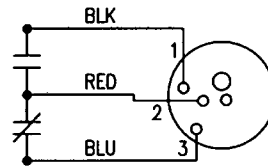


VIEW A-A
- BASE -
SHOWN FOR MOUNTING ONLY

SWITCH RATINGS

- 15 AMP @ 125, 250, 480 VAC
- .5 AMP @ 125 VDC - NON-INDUCTIVE
- .25 AMP @ 250 VDC - NON-INDUCTIVE

WIRING DIAGRAM



26330	11-13-07	910-014-06	—	YES	30 IN.	
26330	11-13-07	910-014-05	—	YES	84 IN.	
26330	11-13-07	910-014-04	- 55° C	NO	—	REPLACES 910-014-03
OBSOLETE	17074, 6/17/96	910-014-03	- 55° C	NO	—	
26330	11-13-07	910-014-02	—	NO	—	REPLACES 910-014-01
OBSOLETE	17074, 6/17/96	910-014-01	—	NO	—	

REVISION	MODEL NUMBER	LOW TEMP. TEST	CONNECTOR ASSEMBLY	CABLE LENGTH	REMARKS
----------	--------------	----------------	--------------------	--------------	---------

—	4-15-13	REV NAMEPLATE FOR CCC/CE		31153	
—	11-13-07	6.13 & 8.44 WERE 6.00 & 8.31		26330	
—	6-17-00	REDRAWN WAS B-SIZE; 3.75 WAS 3.56 (2 PLCS)		17074	
LET	DATE	ALTERATION		C.N.	

QUALITROL

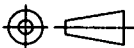
DIMENSIONS AND TOLERANCES IN ACCORDANCE WITH ASME Y14.5M-1994

PH. (585) 586-1515
FAX (585) 377-0220

1385 FAIRPORT ROAD
FAIRPORT, NY 14450
FORM 0-473 REV. F 04/06/06

TITLE: RAPID PRESSURE RISE RELAY (GAS)

MODEL NO. 910-014



NOTICE

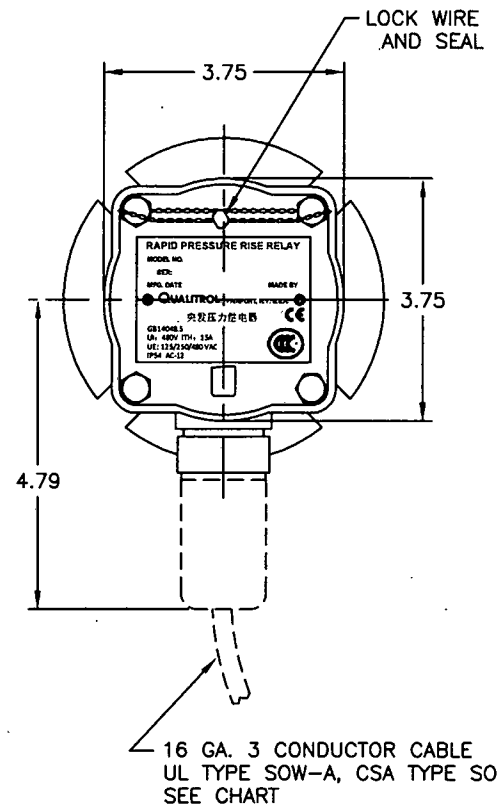
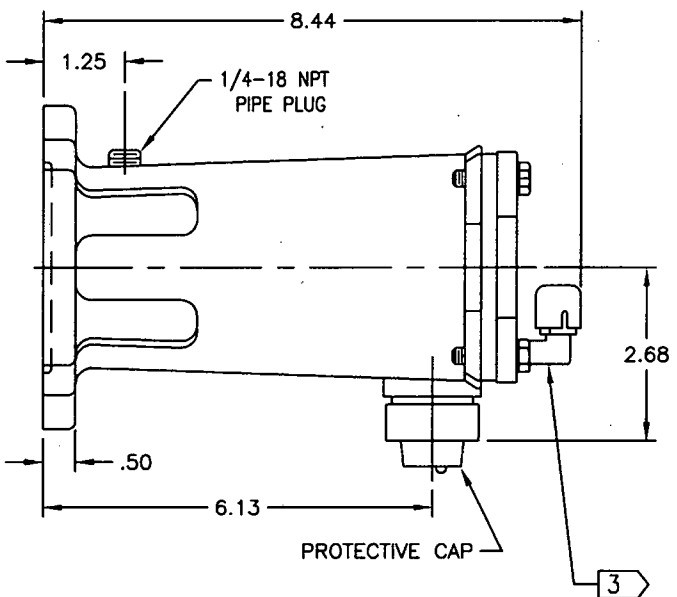
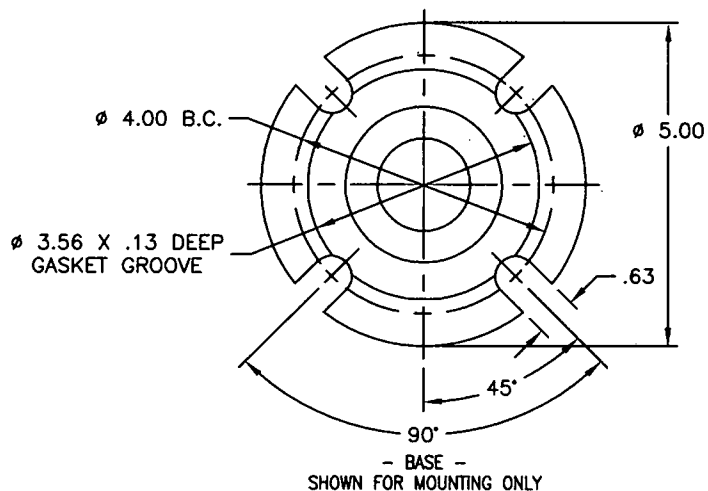
THIS DRAWING IS THE PROPERTY OF QUALITROL COMPANY LLC AND IS LOANED ONLY ON THE CONDITION THAT IT WILL BE USED TO FACILITATE THE PURPOSE FOR WHICH INTENDED AND NOT BE REPRODUCED, COPIED OR OTHERWISE DISPOSED OF, AND IS NOT TO BE USED IN WHOLE OR PART FOR FURNISHING INFORMATION RELATIVE TO THE MAKING OF DRAWINGS, PARTS, APPARATUS OR PARTS THEREOF, EXCEPT BY WRITTEN ORDER FROM QUALITROL COMPANY LLC.

MODEL NO. **910-014**

NOTES:

1. MEETS QUALITROL PRODUCT PERFORMANCE SPECIFICATION PPS-9.
2. FOR GAS SPACE INSTALLATION ONLY

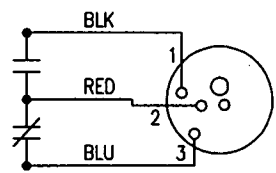
3 UNIT MUST BE MOUNTED HORIZONTALLY WITH VENT UP AS SHOWN.



SWITCH RATINGS

- 15 AMP @ 125, 250, 480 VAC
- .5 AMP @ 125 VDC - NON-INDUCTIVE
- .25 AMP @ 250 VDC - NON-INDUCTIVE

WIRING DIAGRAM



26330	11-13-07	910-014-34	- 55° C	NO	---	
26330	11-13-07	910-014-32	---	NO	---	
REVISION	MODEL NUMBER	LOW TEMP. TEST	CONNECTOR ASSEMBLY	CABLE LENGTH	REMARKS	

QUALITROL[®]

DIMENSIONS AND TOLERANCES IN ACCORDANCE WITH ASME Y14.5M-1994

PH. (585) 586-1515
 FAX (585) 377-0220
 1385 FAIRPORT ROAD
 FAIRPORT, NY 14450
 FORM 0-473 REV. F 04/06/06

TITLE: RAPID PRESSURE RISE RELAY (GAS)

MODEL NO. **910-014**

SH 2 OF 2