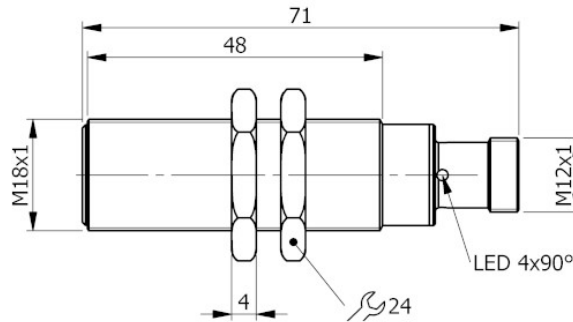


Part number: **I18000640** Model: **SI18SM-B5 NO/NC H**



Dimension in mm

## 1. TECHNICAL CHARACTERISTICS



### Electrical data

Power supply type:	Direct current
Working voltage: [V]	10 ÷ 55
Protection class:	III
Reverse polarity protection:	Presente

### Outputs

Function:	NO/NC programmable
Max voltage drop: [V]	< 6.5
Max output current: [mA]	100
Minimum output current: [mA]	1.5
Residual current: [mA]	< 0.6
Max switching frequency: [Hz]	1000
Short circuit protection:	Present
Type of short-circuit protection:	Pulsed
Overload protection:	Present

### Detection zone

Switching distance-Sn: [mm]	5
Real sensing distance-Sr: [mm]	5 ±10%
Operative distance-So: [mm]	0 ÷ 4.05

### Accuracy and Deviations

Correction factor:	Stainless steel: 0.9 - Brass: 0.5 - Aluminium: 0.4 - Copper: 0.4
Hysteresis: [%Sr]	< 10
Switching point drift: [%Sr]	-10 ÷ +10
Repeatability: [%Sn]	< 3

### Environmental conditions

Temperature limits: [°C]	-25 ÷ +70
IP rating:	IP65-IP66-IP67 (depending on connector )

**Display and control elements**

Display:	Output switching status - 4 x 90° LED: Yellow
----------	---

**Mechanical data**

Housing:	Threaded type
Thread designation:	M18x1
Dimensions: [mm]	M18x1 - L=71
Materials:	Housing: Nickel-plated brass - Sensing area: POM red - Lock nuts: Nickel-plated brass
Mounting:	Embeddable
Weight: [g]	70

**Electrical connection**

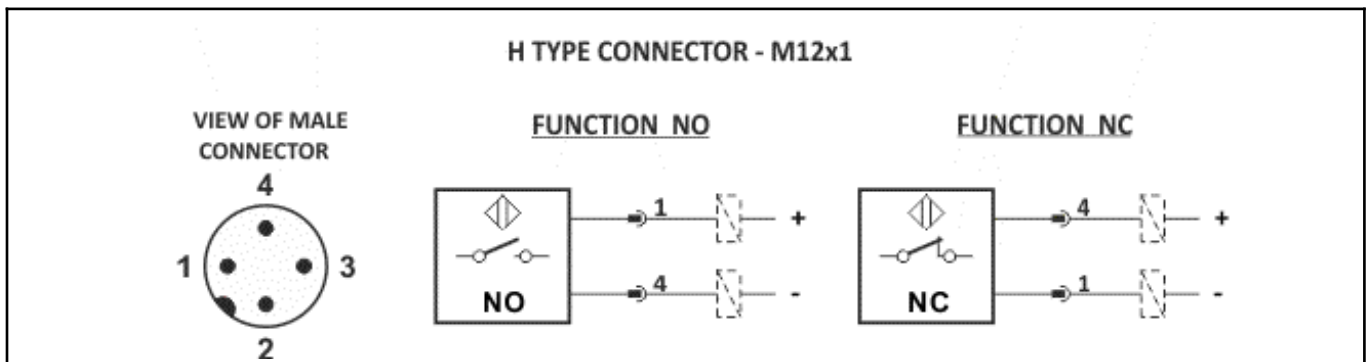
Connector:	H type - M12X1 - Gold plated contacts
------------	---------------------------------------

**Compliance to Standards / Directives**

Directives compliance:	2014/30/EU -Electromagnetic compatibility directive (EMC)
Standards compliance:	EN60947-5-2 - Product standard

**2. INSTALLATION NORMS**

**Wiring diagram**



**Mounting**

