

LA ELIO S.r.l. SI RISERVA IL DIRITTO DI APPORTARE QUALSIASI VARIAZIONE SENZA ALCUN PREAVVISO. IN ANY MOMENT AND WITHOUT NOTICE ELMO CAN CHANGE MANUFACTURING PROCESS, PERFORMANCE FEATURES.



ELMO

V.le Certosa 8/B - 27100 Pavia Italy
 Tel. ++39 382 529564 - 422372
 Fax. ++39 382 527041
 E-Mail: info@elmoitaly.com

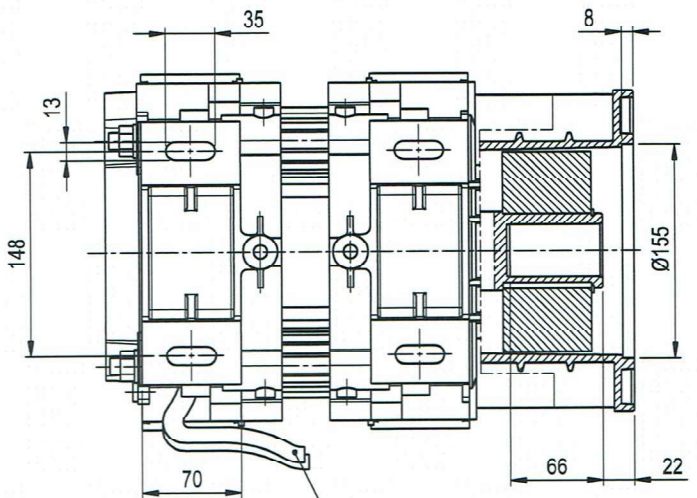
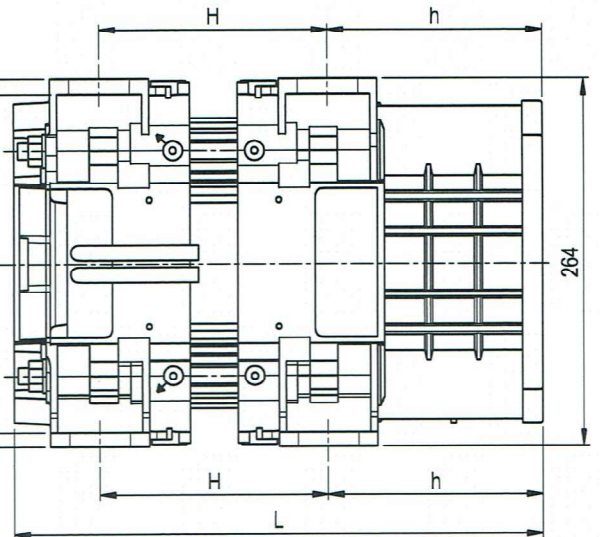
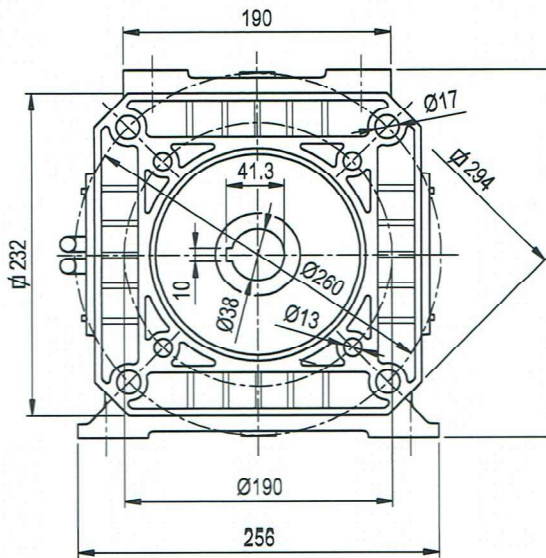
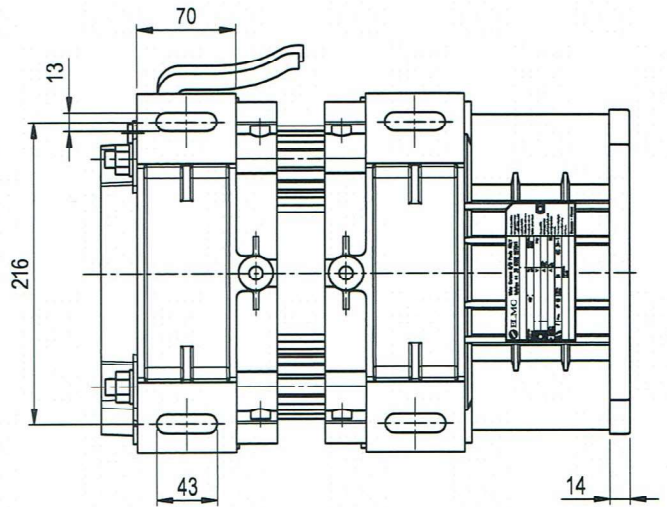
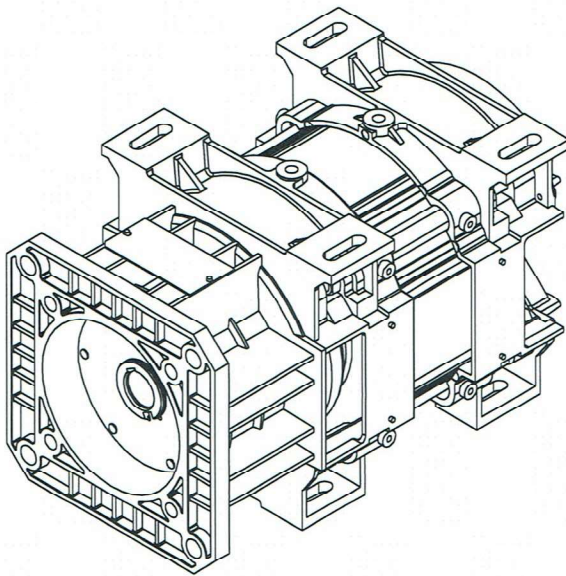
SUBMERSIBLE MOTORS FOR HYDRAULIC LIFTS

MOTORS SIZE 2

Shaft / hole Ø38 mm. Flange Ø155 mm.

50 Hz
 J792K - T - NE -
 0510-19

MOTORI TRIFASI THREE PHASE MOTORS DREIPHASEENMOTOREN MOTEURS TRIPHASES



MOTORS COMPLETE WITH FLYWHEEL

TIPO - TYPE	GRANDEZZA - ACCOPPIAM. SIZE - SUITABLE TO	POLARITA' - POLES	SERIE - INTERNAL SERIES	POTENZA A 50 Hz NOMINAL OUTPUT AT 50 Hz	TRIFASE - THREE PHASE	TENSIONE VOLTAGE	50 Hz - CYCLES AT 50 Hz	ATTACCHI - FEET	TERMINALI - LEAD TERMINAL	DIMENSIONI DIMENSION	POTENZA A 50 Hz NOMINAL OUTPUT AT 50 Hz
J	7	9	2	K	3 6 8 T	V	NE	FE	L h H HP		
					4 4 1				460 152 247 5 0 -		
					6 1 6				485 152 272 6 0 -		
					5 8 8				525 152 312 8 0 -		

m. 2.00 LUNGH. STANDARD CAVI ALIMENTAZIONE
 STANDARD LEADS LENGTH