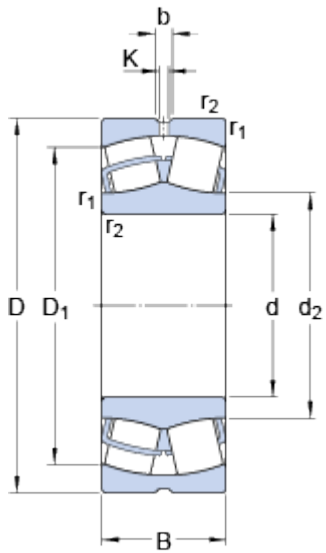


24036 CC/W33

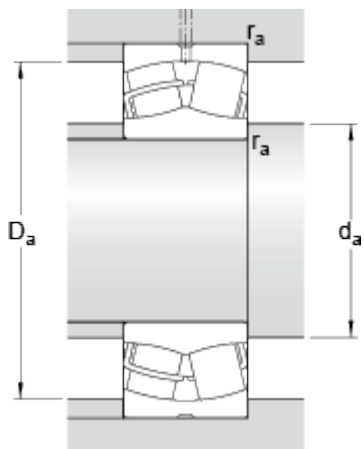
SKF Explorer

Dimensions



d	180	mm
D	280	mm
B	100	mm
d ₂	≈ 201	mm
D ₁	≈ 243	mm
b	8.3	mm
K	4.5	mm
r _{1,2}	min. 2.1	mm

Abutment dimensions



d _a	min. 191	mm
D _a	max. 269	mm
r _a	max. 2	mm

Calculation data

Basic dynamic load rating	C	1134	kN
Basic static load rating	C ₀	1730	kN
Fatigue load limit	P _u	156	kN
Reference speed		1500	r/min
Limiting speed		2200	r/min
Calculation factor	e	0.33	
Calculation factor	Y ₁	2	
Calculation factor	Y ₂	3	
Calculation factor	Y ₀	2	

Mass

Mass bearing	23	kg
--------------	----	----

