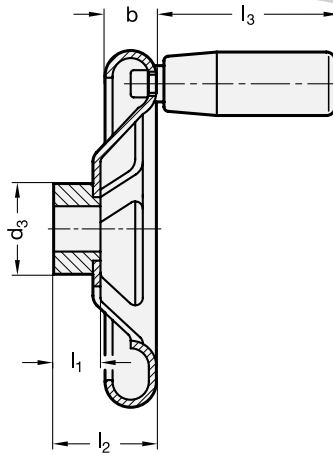
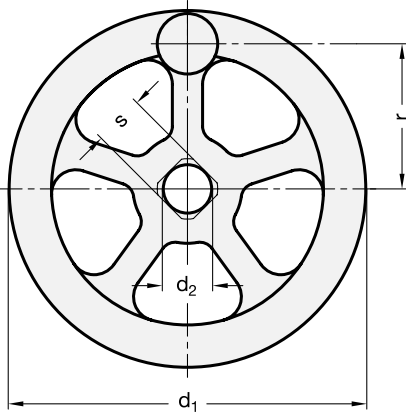


Range extended!



2 Bore code

- B** without keyway
- K** with keyway
- V** with square

4 Type

- A** without handle
- D** with revolving handle (only available for GN 227.2)

1 d_1	3 d_2 H9 Bore	3 s H11 Square	b	d_3	l_1	$l_2 \approx$	\emptyset Handle	No. of spokes	Thickness of pressed stainless steel
160	12	V 12	22	30	20	39	26	4	2
200	14	V 14	22	40	24	44	26	4	2,5
250	17	V 17	30	45	28	52	28	5	3
315	19	V 19	36	55	33	64	28	5	3
400	24	V 24	43	65	38	81	28	5	3

Specification

- **GN 227.2**
Stainless Steel A2
- AISI 304
- matt shot-blasted
- Wheel body, pressed Stainless Steel
- Hub welded
Revolving handle similar to GN 598.1
- Plastic, Duroplast black, shiny
- Spindle Stainless Steel AISI 303
- **GN 227.4**
Stainless Steel A4
- AISI 316L
- matt shot-blasted
- Wheel body, pressed Stainless Steel
- Hub welded
- Keyway P9 DIN 6885 → Page 314
- Square DIN 79 → Page 316
- Cross holes GN 110 → Page 317
- ISO-Fundamental Tolerances → Page 323
- Stainless Steel characteristics → Page 334
- RoHS compliant

Information

The hub lengths of the pressed Stainless Steel-Handwheels GN 227.2 / GN 227.4 conform to DIN 950.

Stainless Steel-Handwheels GN 227.2 / GN 227.4 are renowned for their high mechanical strength. They are not affected by shock and knocks.

Stainless Steel-Handwheels GN 227.4 (A4 quality) are only available in type A (without handle).

see also...

- Stainless Steel-Handwheels GN 950.6 → Main Catalogue Page 185
- Stainless Steel-Handwheels GN 949 → Main Catalogue Page 188
- St. Steel-Countersunk washers GN 184.5 (for axial fixing) → Main Catalogue Page 542

Stainless Steel-Handwheel (A2)	1 d_1
	2 Bore code
GN 227.2-200-B14-D	3 d_2 (s)
	4 Type

Stainless Steel-Handwheel (A4)	1 d_1
	2 Bore code
GN 227.4-160-V12-A	3 s (d_2)
	4 Type