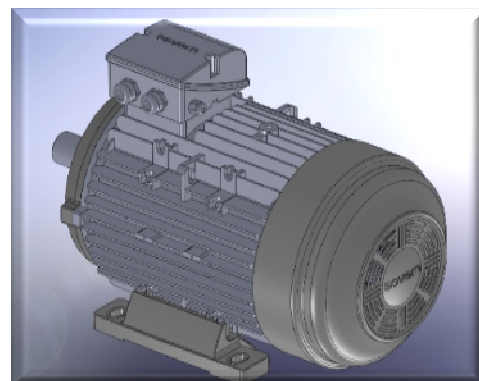


Three-phase motors with squirrel cage rotor, high efficiency motors
Cast iron Housing

Y-IE2 160L4



Duty type		S1		
Design output	(kW)	15		18
Number of poles	(-)	4		
Design frequency	(Hz)	50		60
Design speed	[rpm]	1460		1750
Voltage	(V)	400/690		480
Connection	(-)	D	Y	D
Current	(A)	28,1	16,2	28,1
Rated torque	(Nm)	98,1		
Relative pull-in current	(-)	7,5		
Relative starting torque	(-)	2,2		
Relative pull-out torque	(-)	2,3		
Power factor	(-)	0,85		
Efficiency	(100 %)	90,6		
Efficiency	(75 %)	90,9		
Efficiency	(50 %)	88,8		
Th. cl.		155(F/B)		
Coolant temperature	(°C)	40°C		
Altitude above sea level	(m)	1000m		
Degree of protection		IP55		
Motor weight	(kg)	150		
Bearing, D-side		6309 2Z C3		
Bearing, N-side		6309 2Z C3		
Relubrication device		Standard DE+NDE		
A-sound pressure level	(dB)	77		
Special details to bearings 1		None		
Special details to bearings 2		None		
Bearing monitoring		None		
Winding protection		1 set 3 PTC sensors		
Winding protection 2		None		
Anti-condensation heating		None		
Special versions 1		None		
Special versions 2		None		
Special versions 3		None		
Cooling type		IC 411		
Limit values to vibration velocity		Class A		
Balancing		with half key		
Colour system		Moderate		
Colour shade		RAL 7031		
Layer thickness		70 µm		

Delivery conditions and/or official regulations: DIN EN 60034-1

This document was produced electronically, all specifications are valid only after confirmation of the manufacturer