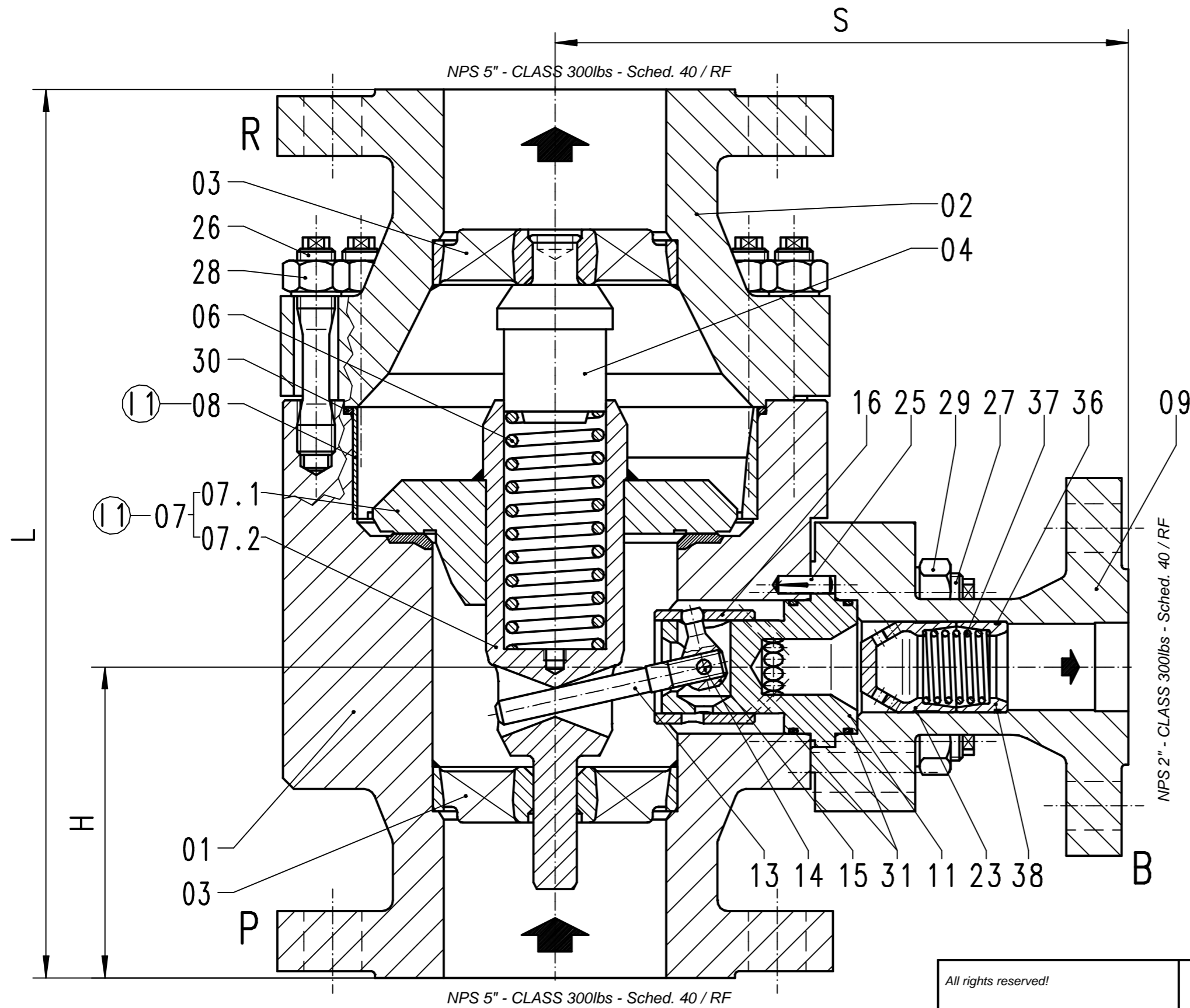


P = Pump End
 R = Pipeline End
 B = By-Pass End

Installation P-R:
 Vertical
 L = 500.0 mm
 S = 290.0 mm
 H = 175.0 mm
 Weight: 185.0 kg
 RFQ-No.:
 Preisanfrage IMP223943
 Project:
 TAG-No:



Subject to change without prior notice!

All rights reserved!	general tolerance ISO 2768 - m		scale	com-no. 3004076.1
			Materials	Quantity: 2.0
	Date	Name	Pump Protection Valve TDL125UVW-CS	
Gepr.				
Edited				
SCHROEDAHL GmbH			4TDL125UVW-CS-00	
D-51580 Reichshof-Mittelagger				Bl Fro m
Zust	Change	Name	Date	

I1 = technical layout after design layout

dl:\appl\us\pdf\TDL\CK.pdf