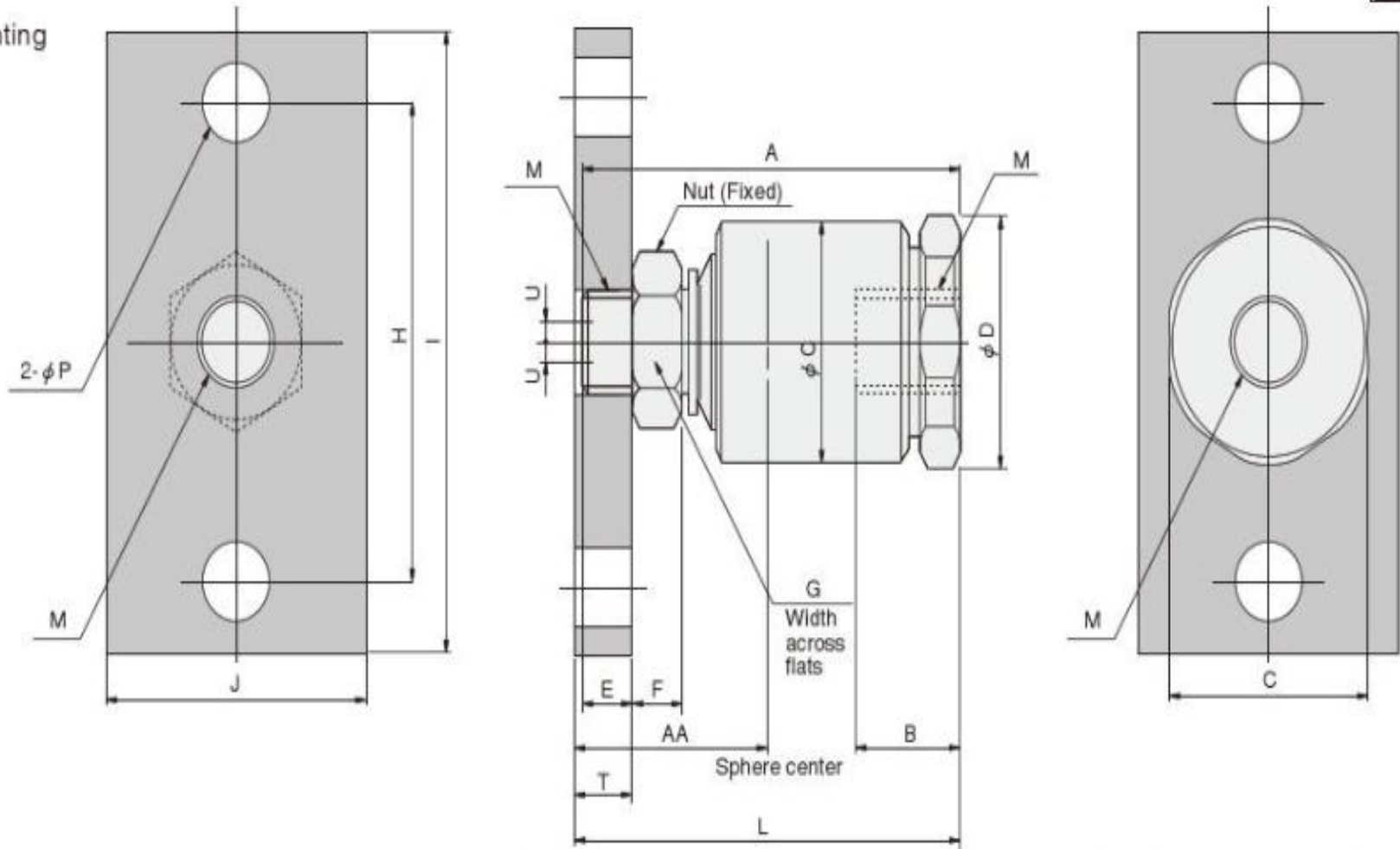


● **CJS-8 X1-3, CJS-10 X1.25-3, CJS-12 X1.25-3, CJS-14 X1.5-3**

Short nose type
(with flange mounting bracket)



Model	M		Short nose type body							With flange mounting bracket							Allowable eccentricity U
	Nominal size	Pitch	A	B	C	D	E	F	G	AA	H	I	J	L	P	T	
CJS-8X1	8	1	38	10	19	20	4	5	12	22.5	40	52	25	40	7	6	0.5
CJS-10X1.25	10	1.25	48	12	24	25.5	7	6	14	29.5	44	56	32	50	7	9	0.75
CJS-12X1.25	12	1.25	59.5	16	30	32	7	7	17	34.5	44	56	32	61.5	7	9	1.0
CJS-14X1.5	14	1.5	63.5	16	30	32	10	8	19	38.5	60	80	38	65.5	11	12	1.0