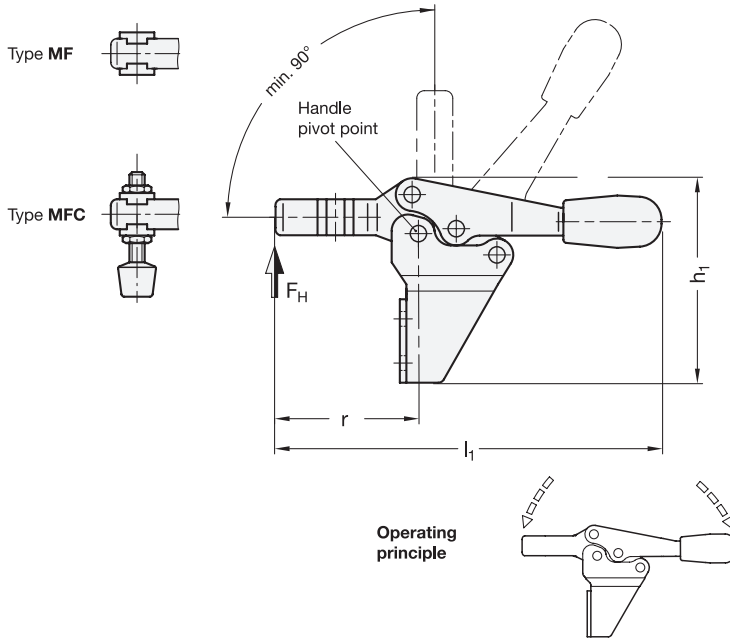


GN 820.2

Steel / Stainless Steel

Horizontal acting toggle clamps

with vertical mounting base



ROSTFREI Rostfrei
Inox
Stainless
Steel



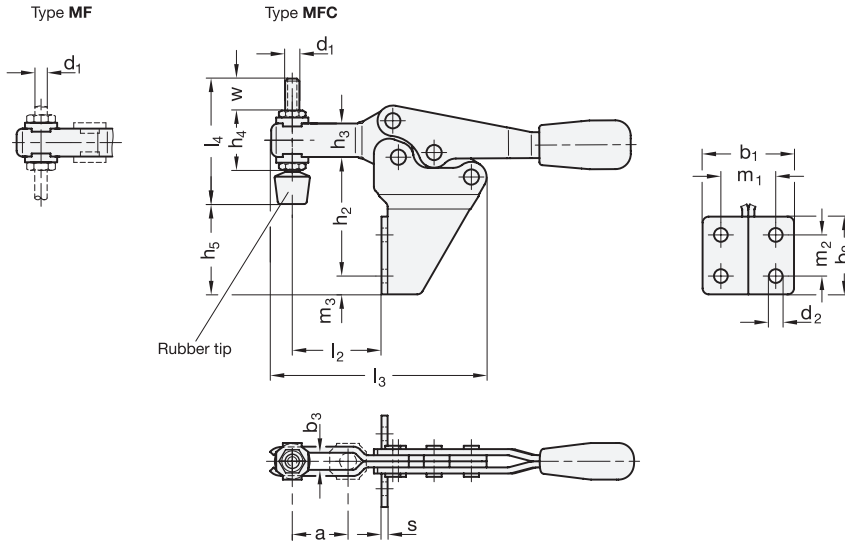
Type

- MF** U-bar version, with two flanged washers
- MFC** U-bar version, with two flanged washers and GN 708.1 Spindle Assembly



Size	Steel	Stainless Steel	F_H in N	Holding Capacity	$a \approx$	b_1	b_2	b_3	d_1	d_2	h_1	h_2	h_3	h_4	h_5 max.
75	75	75	900	20	30	25,5	5,5	M 5	5	4,5	62	39	11	19	30
130	130	130	1000	32	39	35	6,5	M 6	6	5,5	85	58,5	16	25,5	48,5
230	230	230	1700	37	43	40	8,5	M 8	8	6,5	102	69	18	30	53
355	-	-	1800	58	52	52	10,5	M 10	10	8,5	135	92	22	37	75,5

Size	Steel	Stainless Steel	l_1	l_2	l_3	l_4	m_1	m_2	m_3	r	s	w Adjustable Range
75	75	75	118	30	72	45	18	13,5	6	42,5	2	15
130	130	130	170	45	95	55	26	22	6,5	61	2,5	17,5
230	230	230	195	52	113	68	28,5	24	8	70	3	20
355	-	-	270	85	166	77	32	32	10	108,5	3,5	19



Specification

- Steel
 - Case-hardened Steel C10 zinc plated, blue passivated
 - Bearing pins tempered
 - Bearing rivets (for size 355 and up) case-hardened
- Stainless Steel AISI 304 **NI**
- All moving parts lubricated with special grease
- Hand grip High quality, oil resistant red plastic
- Spindle assembly GN 708.1 (Type A)
 - Steel, zinc plated / Stainless Steel, AISI 304
 - Rubber tip 85 Shore A
- *Stainless Steel characteristics* → Page 1144
- **RoHS compliant**

Accessory

- Spindle assemblies → Page 765 ff.
- GN 801 Clamp mounts for toggle clamps (for Type MF) → Page 771

Information

GN 820.2 horizontal acting toggle clamps work according to the toggle principle: lever and clamping bar move in the opposite direction.

They require less space for the clamping action. In the clamped position the operating lever is in its horizontal position. The 90° rotated mounting surface allows a space-saving installation in addition to the clamping point.

Horizontal acting toggle clamps in the U-bar version with two flanged washers (Type MF) can accommodate an application specific clamping screw. A spindle assembly with neoprene rubber tip is also included for Type MFC.

see also...

- *General information for toggle clamps* → Page 676

How to order (Steel)	
1	Size
GN 820.2-130-MF	
2	Type

How to order (Stainless Steel)	
1	Size
GN 820.2-230-MF-NI	
2	Type
3	Material

