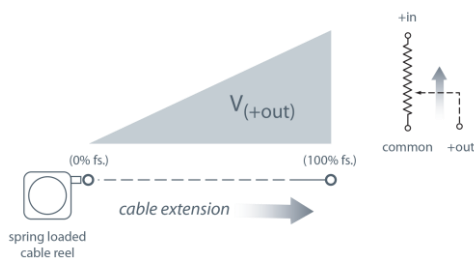


The PT1A is perfect where space and money are limited. The PT1A is part of Celesco's compact line of cable-extension transducers. Using a high cycle plastic-hybrid potentiometer, the PT1A provides a precision voltage divider position feedback signal for full-scale measurement ranges from 2 to 50 inches.

The PT1A has many features to offer including 500 to 10K ohm potentiometer selection, adjustable bridge circuit and multiple measuring cable exit options.



-- bridge circuit option available, see ordering information

# PT1A

## Cable Actuated Sensor

### Instrument Grade • Voltage Divider Output

Absolute Linear Position to 50 inches (1270 mm)

Aluminum and Polycarbonate Enclosure

Compact Design

IP65 • NEMA 4 Protection

### General

<b>Full Stroke Range</b>	0-2 to 0-50 inches
<b>Options</b>	
<b>Output Signal Options</b>	voltage divider (potentiometer)
<b>Accuracy</b>	± 0.25% to ± 0.15% full stroke (see ordering information)
<b>Repeatability</b>	± 0.02% full stroke
<b>Resolution</b>	essentially infinite
<b>Measuring Cable</b>	.019-in. dia. nylon-coated stainless steel
<b>Enclosure</b>	glass-filled polycarbonate and black anodized aluminum
<b>Sensor</b>	plastic-hybrid precision potentiometer
<b>Potentiometer Cycle Life</b>	see ordering information
<b>Maximum Retraction</b>	see ordering information
<b>Acceleration</b>	
<b>Weight</b>	1 lb. max.

### Electrical

<b>Input Resistance</b>	see ordering information
<b>Options</b>	
<b>Power Rating, Watt</b>	see ordering information
<b>Recommended</b>	see ordering information
<b>Maximum Input Voltage</b>	
<b>Output Signal Change Over Full Stroke Range</b>	94% ±4% of input voltage

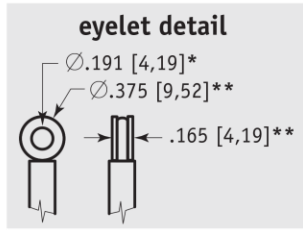
### Environmental

<b>Enclosure</b>	NEMA 4, IP 65
<b>Operating Temperature</b>	-40° to 200°F (-40° to 90°C)
<b>Vibration</b>	up to 10 g to 2000 Hz maximum

**PT1A**

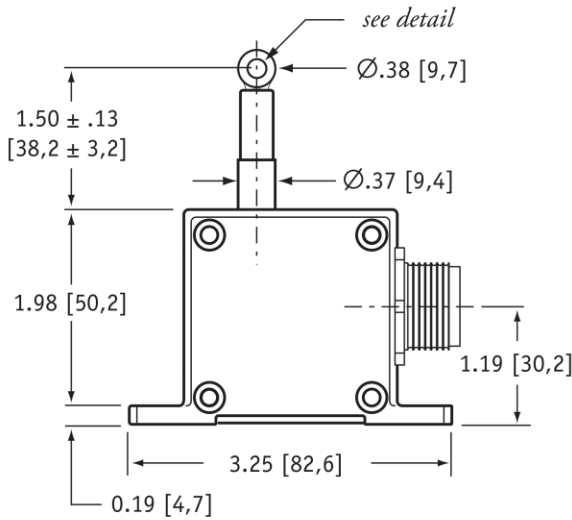
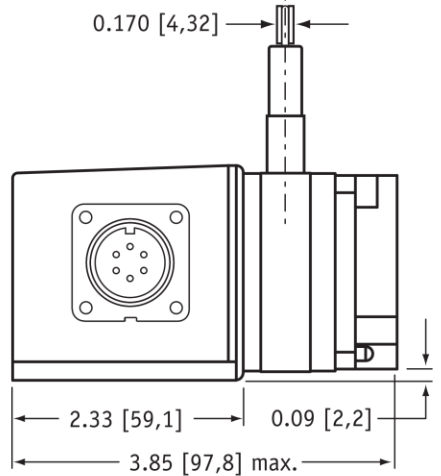
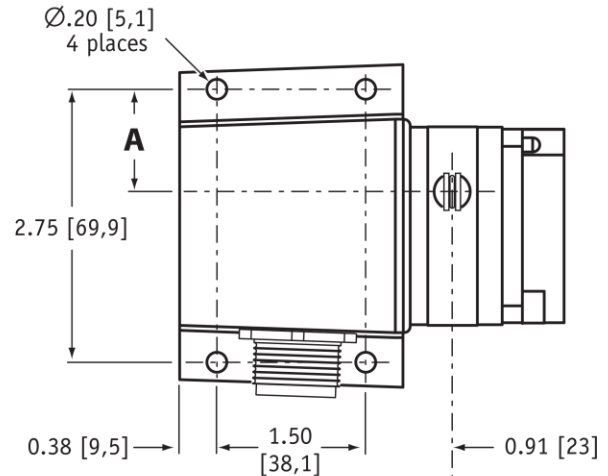
Instrument Grade • Voltage Divider

Outline Drawing



Range	A
2, 10	1.04 [26,4]
5, 25, 50	0.58 [14,7]
15, 30	0.82 [20,8]
20, 40	0.74 [18,8]

*inches [mm]*



DIMENSIONS ARE IN INCHES [MM]  
tolerances are 0.03 IN. [0.5 MM] unless otherwise noted.

\* tolerance = +.005 -.001 [+.13 -.03]  
\*\* tolerance = +.005 -.005 [+ .13 -.13]

Ordering Information

Model Number:

**PT1A** -      -      -      -      -      -       
order code:      **R**      **A**      **B**      **C**      **D**

Sample Model Number:

**PT1A - 30 - UP - 500 - MC4 - SG**

- R** range: 30 inches
- A** measuring cable exit: up
- B** output signal: 500-ohm pot.
- C** electrical connection: 4-pin micro connector
- D** cable guide: spring-loaded guide

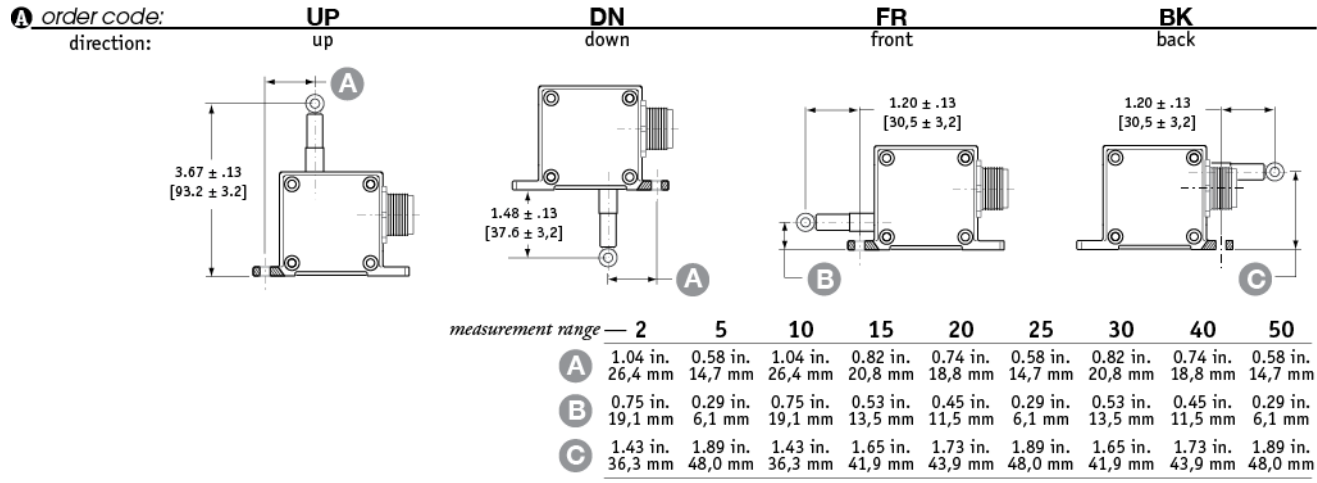
Full Stroke Range:

<b>R</b> order code:	2	5	10	15	20	25	30	40	50
full stroke range, min:	2 in.	5 in.	10 in.	15 in.	20 in.	25 in.	30 in.	40 in.	50 in.
accuracy (% of f.s.):	0.25%			0.15%			0.10%		
potentiometer cycle life:	2,500,000 cycles			500,000 cycles			250,000 cycles		
cable tension (20%):	12 oz.	5 oz.	12 oz.	9 oz.	6 oz.	5 oz.	9 oz.	6 oz.	5 oz.
max. cable acceleration:	11 g	3 g	11 g	5 g	4 g	3 g	5 g	4 g	3 g

# PT1A

Instrument Grade • Voltage Divider

## Cable Exit:



## Output Signals:

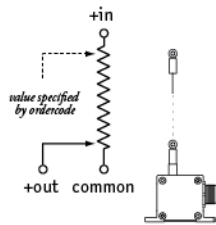
**B** order code: **500** 500 ohm\* **1K** 1000 ohm\* **5K** 5000 ohm\* **10K** 10,000 ohm\* **AB** adjustable bridge (0...30 mV/V)

\*tolerance = ±10%

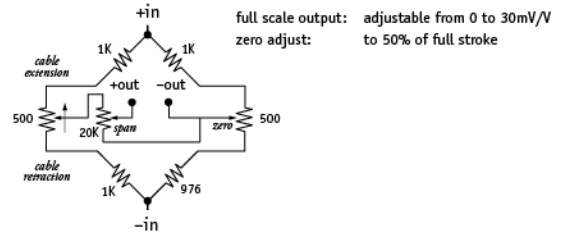
max. input voltage and power rating, options: 500, 1K, 5K, 10K

	2-inch, 5-inch range	10-inch to 50-inch range
500-ohms:	20 V AC/DC (1 W)	30 V AC/DC (2 W)
1K to 10K-ohms:	30 V AC/DC (1 W)	30 V AC/DC (2 W)

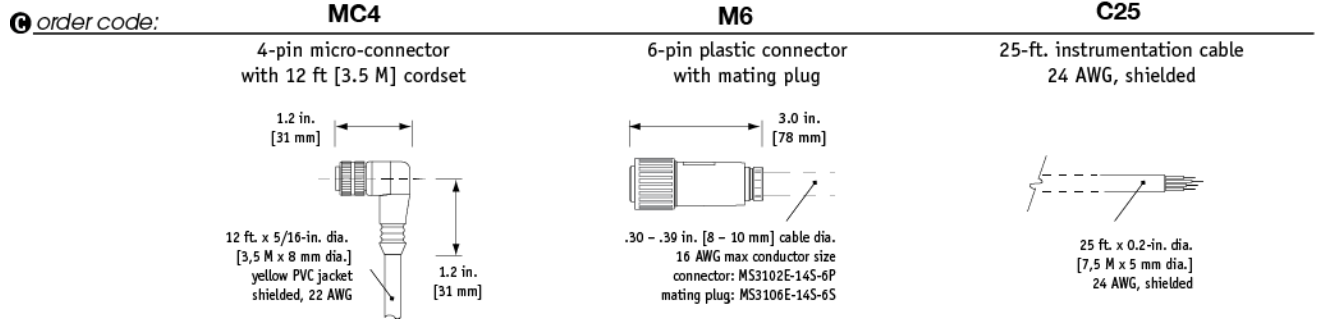
circuit options: 500, 1K, 5K, 10K



circuit option: AB (adjustable bridge)



## Electrical Connection:



4-pin mating plug and cord set:

pin	color code	standard	bridge
1	RED-BLK TR.	+IN	+IN
2	RED-WHT TR.	COMMON	-IN
3	RED	+OUT	+OUT
4	GREEN	-	-OUT

6-pin mating plug:

pin	standard	bridge
A	+IN	+IN
B	COMMON	-IN
C	+OUT	-OUT
D	-	+OUT

25-ft. cable:

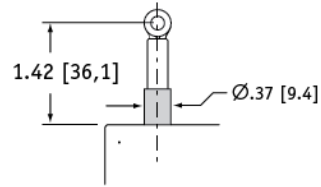
color code	standard	bridge
RED	+IN	+IN
BLACK	COMMON	-IN
GREEN	+OUT	+OUT
WHITE	-	-OUT

**Cable Guide:**

① *order code:*

**blank**

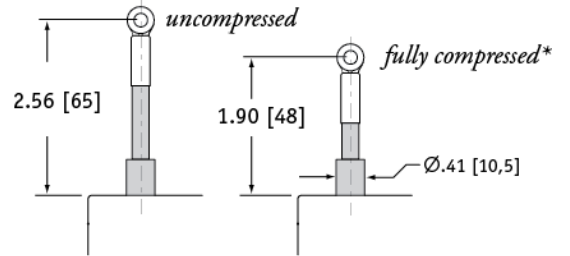
standard cable guide



**SG**

spring-loaded guide

*cable-guide cushions impact from accidental free release*



*\*note: start of full stroke range begins at full compression point (except 2-inch and 5-inch ranges).*