



DATA SHEET

DAB PUMPS S. p. A.
Via Marco Polo, 14 - 35035 Mestrino (PD) - Italy
Ph. +39 049 9048811 - Fax +39 049 9048847
Http://www.dabpumps.com

07/06/2010

Receiver

From

Societa
Reference
Address
Telephone
Fax
E-mail

Item no. 1021300

Pump data :

Model :
K 18/50
Pressure rating : 8 bar (8
Min. fluid temperature : -15 °C
Max. fluid temperature : 110 °C
Max. Temperature operating : 40 °C

Requested data :

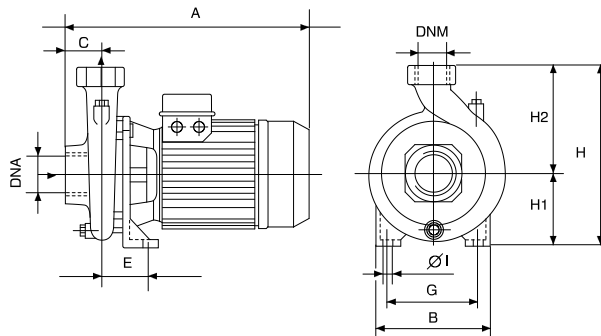
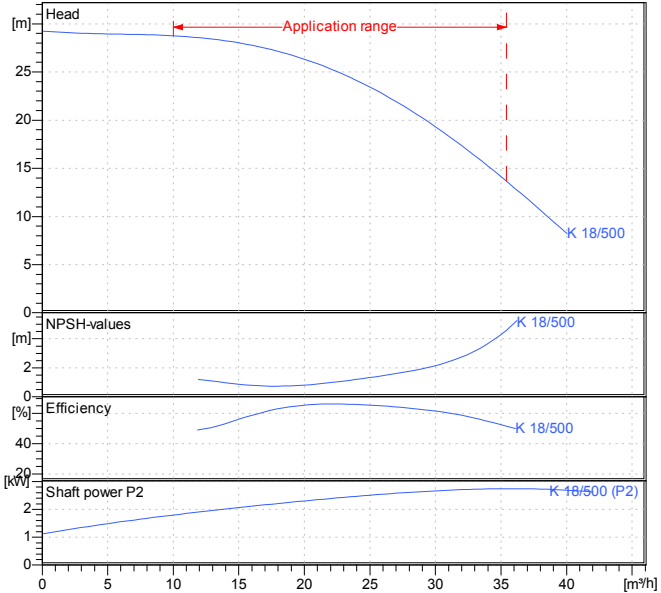
Flow : 0.00 m³/h
Head : 0.00 m
Fluid : Water, p
Fluid Temperature : 20 °C
Density : 998.3 kg/m³
Kinematic viscosity : 1.005 mm²/s
Vapor pressure : 100.00 kPa

Available data :

Flow :
Head :
NPSH :
Shaft power P2 :
Efficiency :

Materials :

Pump body Cast iron 200 UNI ISO 185
Support Cast iron 200 UNI ISO 185
Impeller Cast iron 200 UNI ISO 185
Mechanical seal Carbon/Ceramic
OR ring Rubber EPDM
Shaft with rotor AISI 303 X10 CrNiS 1809 UNI 6900/71



Weight : 35.6 kg

Motor data :

Trade mark : DAB
Nominal power P2 : 3 kW
Rated speed: 2870 rpm
Rated voltage : 3~ 230 V 50 Hz
Nominal current : 10.2 A
Degree of protection : IP 55

Dimension

mm

Pump connection :

Suction side : 2" 1/2 G / 8 bar (8
Discharge side : 2" G / 8 bar (8

A	440
B	240
C	62
DNA	2" 1/2 G
DNM	2" G
E	100
G	155
H	312
H1	132
H2	180
∅	14



PERFORMANCE CURVES

07/06/2010

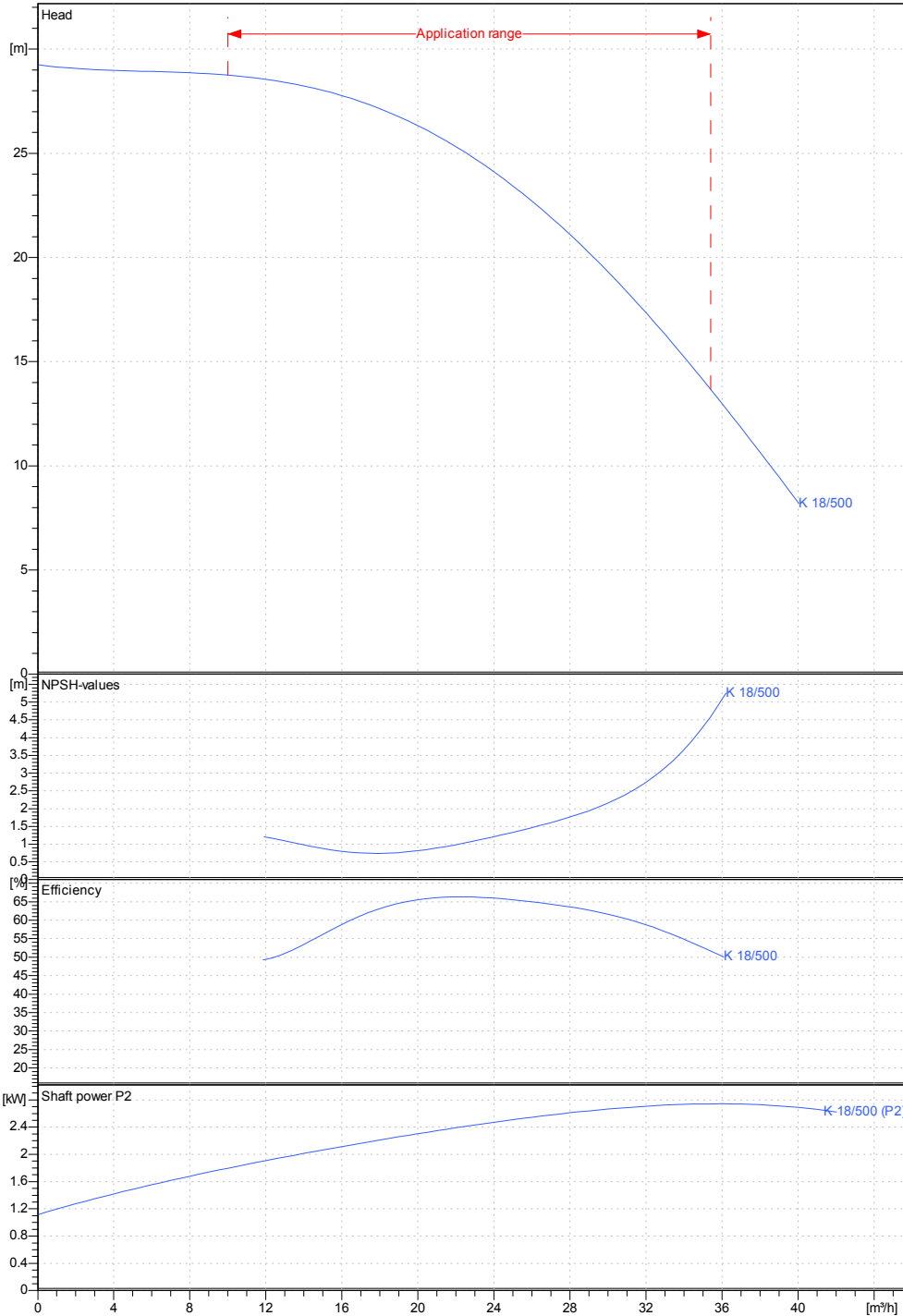
DAB PUMPS S. p. A.
Via Marco Polo, 14 - 35035 Mestrino (PD) - Italy
Ph. +39 049 9048811 - Fax +39 049 9048847
Http://www.dabpumps.com

Receiver

From

Societa
Reference
Address
Telephone
Fax
E-mail

K 18/500 T



Available data :

Suction side : 2 " 1/2/8 bar (8)	Discharge side : 2 " G / 8 bar (8)	Flow : 0 m³/h	Head : 0 m	Speed 2870 rpm
Project	Project ID	Created by	Created on 07.06.2010	

