



**FEATURES**

- › Compact design
- › Up to 15 bar
- › Coil adjustable in any position without tools

**TECHNICAL SPECIFICATION**

- › **Body material:** Brass
- › **Armature tube:** Stainless Steel AISI 300 series
- › **Plungers:** Stainless Steel AISI 400 series
- › **Spring:** Stainless Steel AISI 300 series
- › **Media:** low pressure steam, mineral oils, gasoline, diesel, fuel oils, water
- › **Ambient temperature:** See coils catalogue page for its compatibility
- › **Fluid temperature:** -10°C +90°C with NBR seals  
-10°C +140°C with FKM seals
- › **Design pressure PS:** 40 bar
- › **Protection class:** IP 65 (complete with electric plug)
- › **Electrical conformity:** IEC 335
- › **Switching time:** 20-40 msec

**AVAILABLE ON REQUEST**

- › Manual override (i.e. 21A3KV15-M)
- › NSF approved version
- › Also available with low lead brass for food grade
- › Explosion proof coil Ex nA (see Atex section)



31JN	1	W0	V	12	
Model valve	1= G 1/8	W0= N.C.	V= FKM B= NBR	12 15 23	Orefice 10 mm

L	B	A	05	024	C	S
L 22 mm 5W	B EN 175301-803	A= Class F V= Class H	05= 5W	024= 24V 110= 110V-120V 220= 220V 230= 230V	C= DC A= AC A= AC	S= Without Approval U= UL V= VDE

PIPE	Ø (mm)	Kv (l/min)	MAX VISCOSITY cSt (°E)	PRESSURE min	PRESSURE MAX MOPD (bar)				GAS CODE	NPT CODE	DRAWING REFERENCE
					COIL TYPE						
					AC		DC				
SUBPLATE MOUNTUNG	1,2(*)	1	12(2)	0	15		-		4628Y0V12	N/A	1

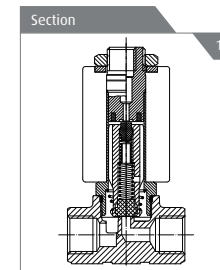
(\*) 3rd way exhaust= Ø 1,2mm

SUBPLATE MOUNTUNG	1,2(*)	1	12(2)	0	15		15		31JKBW0V12	N/A	1
G 1/8	1,2(*)	1	12(2)	0	15		15		31JN1W0V12	N/A	1
	1,2(*)	0,6	12(2)	0	15		15		31JR1W0B12-M	N/A	1
	1,5(*)	1	12(2)	0	10		10		31JR1W0B15-M	N/A	1
	2,3(*)	2,3	37(5)	0	5		5		31JN1W0V23	N/A	1

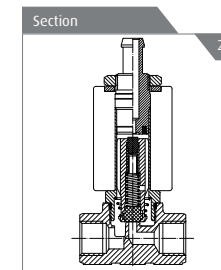
(\*) 3rd way exhaust= Ø 1,5mm

G 1/8	1,2(*)	1	12(2)	0	15		-		31JN1XPV12	N/A	2
	1,2(*)	1	12(2)	0	15		15		31JN1XPV12-S	N/A	2
	2,3(*)	2,3	37(5)	0	-		-		31JN1XPV23	N/A	2

(\*) 3rd way exhaust= Ø 1,7mm



1 REPAIR KIT  
KT100W0V25-FJ



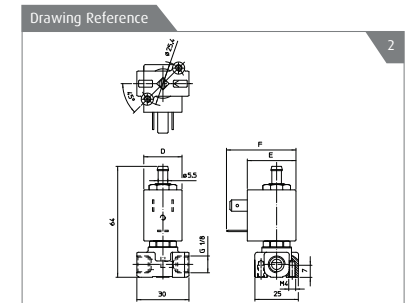
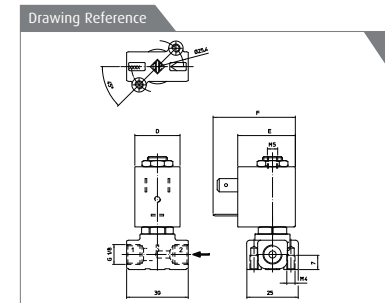
2 REPAIR KIT  
KT100XPV25-IJ

**RELATED ITEMS**

- › P990305: Electrical plug EN 175301-803 Pg9
- › P990306: Electrical plug EN 175301-803 Pg11
- › P992126: Electrical plug EN 175301-803 Pg9 (with OR screw)
- › P992127: Electrical plug EN 175301-803 Pg11 (with OR screw)
- › P992128: Electrical plug EN 175301-803 cable 2 wires, 53cm
- › R452714: Antihumidity kit (up to IP67 protection together with plugs P992126, P992127, P992128 & H coils class)
- › P992087: Timer for automatic switch

**INSTALLATION**

- › The solenoid valves can be mounted in any position
- › Holes and threaded connections for panel fixing
- › Other part connections available on request
- › Maintenance and instruction sheet available in each solenoid valve box
- › Availability of repair kit and coils as spares



**Dimensionale Table**

Figure	Coil Type	D mm	E mm	F mm
1-2	L	22	27,5	39,5

