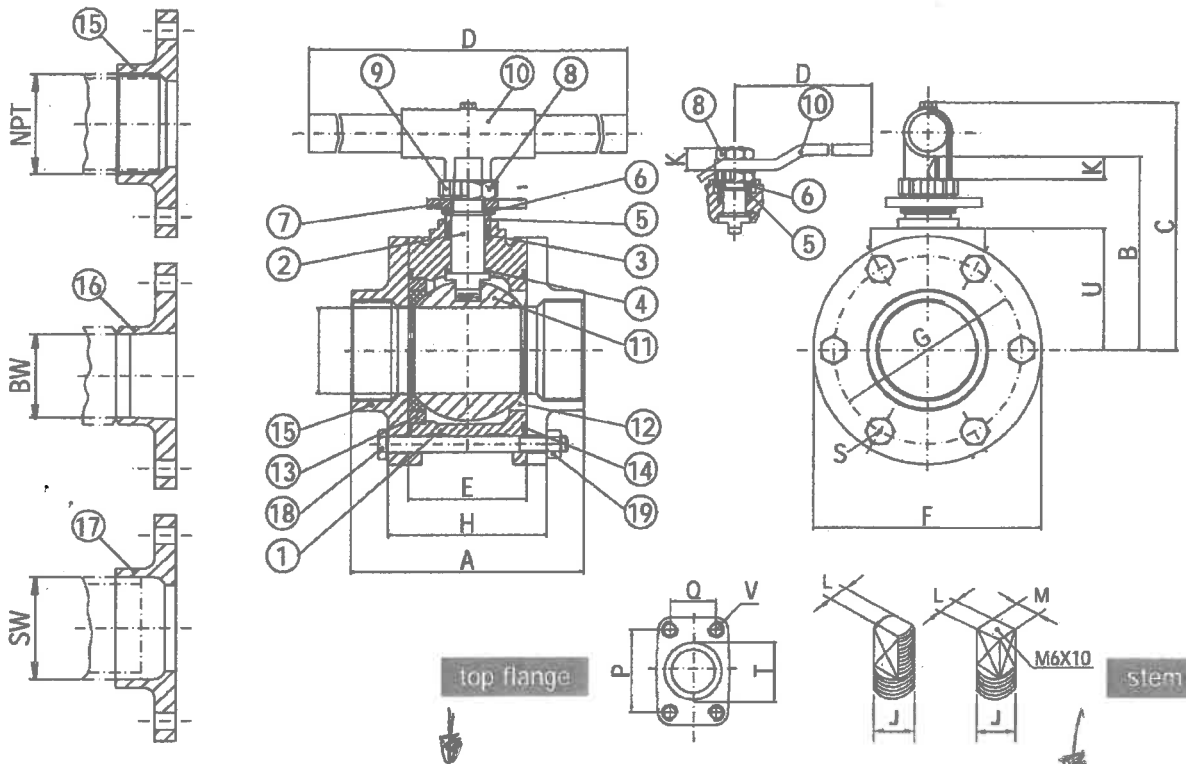


SERIES 26



		2011	2006
1	Body	WCB	CF8M
2	Stem	AISI316L	
3	Stem Seal	PTFE-carbon	
4	Thrust Washer	PTFE-carbon	
5	Stem Seal Follower	AISI303	
6	Belleville Springs	AISI301	
7	Stop Plate	AISI 316L/CF8M	
8	Hex. Nut	AISI303	
9	Lock Cap	AISI304	
10	Handle	CF8M	

		2011	2006
11	Ball	CF8M	
12	Seat	PTFE-GLASS	
13	Centre Ring	CF8M	
14	Body Seal	PTFE - GLASS	
15	Screwed End	A105N	AISI316L
16	Butt Weld End	A105N	AISI316L
17	Socket Weld End	A105N	AISI316L
18	Body Bolt	AISI1034	AISI304
19	Body Nut	AISI1034	AISI304

regular bore 2 1/2" - 6"

SIZE	BW	SW	Ø	A	B	C	D	E	F	G	H	I	K	L	M	P	Q	S	T	U	V
2 1/2"	2.47	3.03	1.97	5.79	3.90	4.01	6.89	2.81	5.51	4.49	3.94	M16x15	0.63	0.43	-	2.12	0.98	M12X115	1.50	2.95	M6
3"	3.07	3.54	2.52	6.89	5.71	6.97	19.68	3.50	6.70	5.50	4.88	UNF 1"	0.90	0.75	0.83	2.56	1.42	M12X135	1.77	3.58	M8
4"	4.03	4.58	3.25	8.46	6.34	7.60	19.68	4.27	8.11	6.89	5.55	UNF 1"	0.90	0.75	0.83	2.56	1.77	M14X115	1.77	4.21	M10
6"	6.07	-	3.98	11.8	6.93	8.19	19.68	5.31	9.84	8.46	6.65	UNF 1"	0.90	0.75	0.83	2.56	1.77	M14X185	1.77	4.96	M10

108 - 8x M14 STEEL 175 mm

full bore 2" - 4"

SIZE	BW	SW	Ø	A	B	C	D	E	F	G	H	I	K	L	M	P	Q	S	T	U	V
2"	2.57	3.00	1.97	5.79	3.90	4.01	6.89	2.81	5.51	4.49	3.94	M16x15	0.63	0.43	-	2.12	0.98	M12 x 115	1.50	2.95	M6
2 1/2"	3.07	3.77	2.52	6.89	5.71	6.97	19.68	3.50	6.70	5.50	4.88	UNF 1"	0.90	0.75	0.83	2.56	1.42	M12 x 135	1.77	3.58	M8
3"	3.82	4.40	3.25	8.46	6.34	7.60	19.68	4.27	8.11	6.89	5.55	UNF 1"	0.90	0.75	0.83	2.56	1.77	M14 x 115	1.77	4.21	M10
4"	5.00	5.65	3.98	11.8	6.93	8.19	19.68	5.31	9.84	8.46	6.65	UNF 1"	0.90	0.75	0.83	2.56	1.77	M14 x 185	1.77	4.96	M10