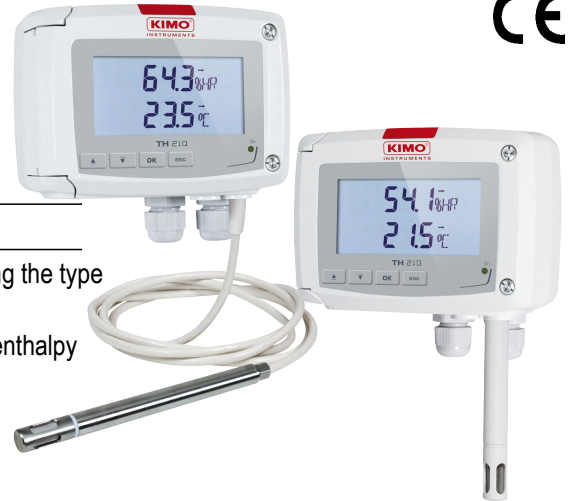


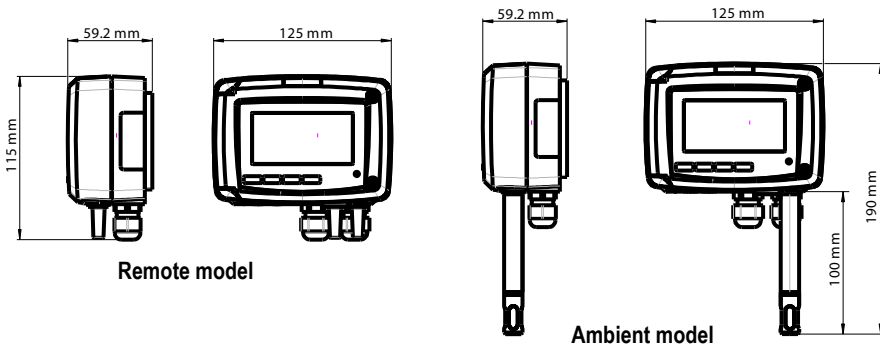
Humidity and temperature transmitter TH 210



KEY POINTS

- Configurable measuring ranges from 5 to 95%RH and from -40 to +180 °C (according the type of probe)
- Functions : relative and absolute humidity, dew point, wet and dry temperature and enthalpy
- Stainless steel or polycarbonate probe
- 4 wires analogue output 0-5/10 V or 0/4-20 mA
- Power supply 24 Vdc/Vac or 115/230 Vac
- Trend indicator
- ABS V0 IP65 housing, with or without display
- "1/4 turn" system mounting with wall-mount plate

FEATURES OF THE HOUSING



Material : ABS V0 as per UL94

Protection : IP65

Display : 75 x 40 mm, LCD 20 digits 2 lines.

Height of digits : Values : 10 mm ; Units : 5 mm

Cable gland : For cables Ø 8 mm maximum

Weight : 320 g

TECHNICAL FEATURES IN HUMIDITY

Measuring range	From 5 to 95%RH
Unit of measurement	%RH
Accuracy* (Repeatability, linearity, hysteresis)	±1.5%RH (if 15°C ≤ T ≤ 25 °C)
Drift linked to temperature	±0.04 x (T-20)%RH (if T < 15°C or T > 25°C)
Resolution	0.1%RH
Factory calibration uncertainty	±0.88%RH
Response time	< 10 seconds (from 10 to 80%RH, V _{air} = 2 m/s)
Type of sensor	capacitive
Type of fluid	Air and neutral gases

*All accuracies indicated in this technical datasheet were stated in laboratory conditions, and can be guaranteed for measurements carried out in the same conditions, or carried out with calibration compensation.
As per NFX 15-113 and the Charter 2000/2001 HYGROMETERS. GAL (Guaranteed Accuracy Limit) which has been calculated with a coverage factor value of 2 is ±2.58%RH between 18 and 28°C on the measuring range from 3 to 98%RH. Sensor drift is less than 1%RH/year.

FUNCTIONS

Class 210 transmitters have two analogue outputs which correspond to both displayed parameters. It is possible to activate one or two outputs and to select for each between humidity, temperature and the functions described above** :

Absolute humidity : from 2 to 30 000 g/kg ; unit : 1 g/kg

Dew point : from -60 to +100 °Ctd ; unit : 0.1°Ctd / 0.1 °Ftd

Dry temperature : from -20 to +102 °C ; unit : 0.1°C / 0.1 °F

Enthalpy : from 0 to 15 000 Kj/kg ; unit : 0.1 Kj/kg

**The default configuration for the output 1 is 0-100%RH in hygrometry and 0-50°C in temperature for the output 2.

PART NUMBER

To order, just add the codes to complete the part number :

TH 210	—	<input type="text"/>	—	<input type="text"/>	—	<input type="text"/>	—	<input type="text"/>	—	<input type="text"/>
Power supply / Output B : 24 Vac/Vdc H : 115 or 230 Vac				Display O : with display N : without display		Mounting of the probe D : remote S : ambient		Type of probe I : stainless steel P : polycarbonate		Probe length (mm) 150 : remote 300 : remote

Example : TH210 - BNDP150

Temperature and humidity transmitter, power supply 24 Vac/Vdc, without display, with remote probe in polycarbonate of 150 mm length.

TECHNICAL FEATURES IN TEMPERATURE

Measuring range	Ambient model : from 0 to +50 °C Remote model with polycarbonate probe : from -20 to +80 °C Remote model with stainless steel probe : from -40 to +180 °C
Unit of measurement	°C / °F
Accuracy*	±0.3 % of reading ±0.25 °C
Response time	T ₉₀ = 0.9 second for V _{air} = 1 m/s
Resolution	0.1 °C
Type of sensor	Pt100 1/3 as per DIN IEC751
Type of fluid	Air and neutral gases

*All the accuracies indicated in this technical datasheet were stated in laboratory conditions, and can be guaranteed for measurements carried out in the same conditions, or carried out with calibration compensation.

TECHNICAL FEATURES OF THE PROBE

> White polycarbonate probe

Measuring range	From -20 to +80 °C
Length of standard probe	100 mm
Length of remote probe	150 or 300 mm (other on request)
Cable	Silicone Ø4.8 mm, length 2 m (other on request)



Polycarbonate probes are supplied with a flow-through polycarbonate protection tip with a stainless steel filter 25 µ (ref. : EPP2).

> 316 L stainless steel probe

Measuring range	From -40 to +180 °C
Length of remote probe	150 or 300 mm (other on request)
Cable	Silicone Ø4.8 mm, length 2 m (other on request)



Stainless steel probes are supplied with a flow through stainless steel protection tip with a stainless steel filter 25 µ (ref. : EPI25).

> Type of tips

<i>Part number</i>	EPP2	EPI25	EPI100	EPFI	EPFT	EPH2O2
Specifications						
Tip material	PC ⁽¹⁾	St. steel ⁽²⁾	St. steel ⁽²⁾	St. steel ⁽²⁾	PTFE ⁽³⁾	MnO ₂ ⁽⁴⁾
Filter material	St. steel	St. steel	St. steel	St. steel	PTFE	PTFE
Filter type	Meshed	Meshed	Meshed	Sintered	Sintered	Sintered
Maximum particle	25 µ	25 µ	100 µ	10 µ	50 µ	50 µ
Maximum air velocity	25 m/s	25 m/s	20 m/s	30 m/s	25 m/s	25 m/s
Maximum temperature	120 °C	180 °C	120 °C	180 °C	180 °C	180 °C
Relative humidity maximum	95%RH	95%RH	100%RH	90%RH	90%RH	95%RH
Length	30 mm	30 mm	30 mm	30 mm	30 mm	33 mm
Application						
HVAC air-conditioning system	x	x				
Cold storage room			x		x	
Industry	x	x	x	x	x	
Pharma plants / Microelectronics	x	x	x	x	x	x
Dryer				x	x	
Curing				x		
Swimming-pool			x			

TECHNICAL SPECIFICATIONS

Power supply

24 Vac / Vdc ±10 %
115 Vac or 230 Vac ±10 %, 50-60 Hz

Output

2 x 4-20 mA or 2 x 0-20 mA ou 2 x 0-5 V ou 2 x 0-10 V (4 wires)
Maximum load : 500 Ohms (0/4-20 mA)
Minimum load : 1 K Ohms (0-5/10 V)

Galvanic isolation

Inputs and outputs (models 115 Vac/230 Vac)
Outputs (models 24 Vac/Vdc)

Consumption

5 VA

Electromagnetical compatibility

EN61326

Electrical connection

Screw terminal block for cable 2.5 mm²

PC communication

Kimo USB-Mini Din cable

Environment

Air and neutral gases

Type of fluid

Air and neutral gases

Operating temperature

From 0 to +50 °C

Storage temperature

From -10 to +70 °C

External aggression :

Tips protect against the following external aggressions :

- **Water droplets** : EPFT
- **Shaving** : EPI25 et EPFI
- **Dust** : EPFI
- **Chemical product and grease** : EPFT
- **H₂O₂ (hydrogen peroxide)** : EPH2O2

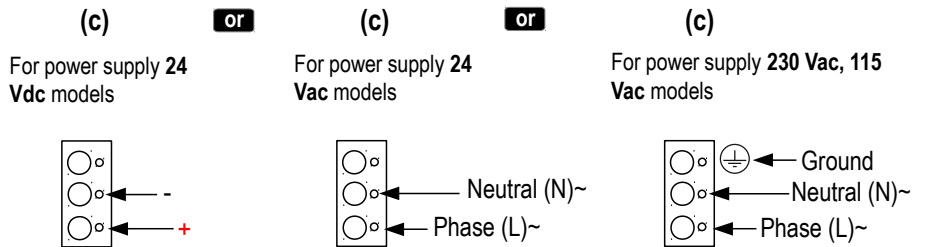
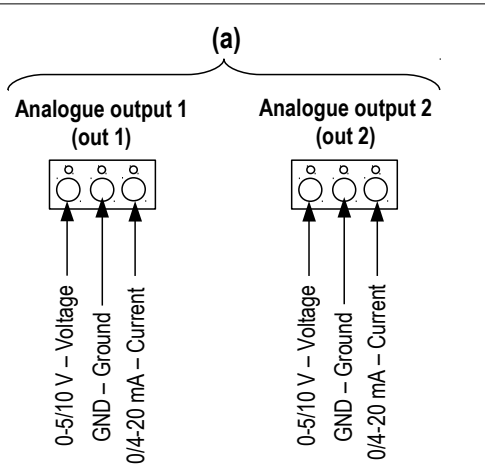
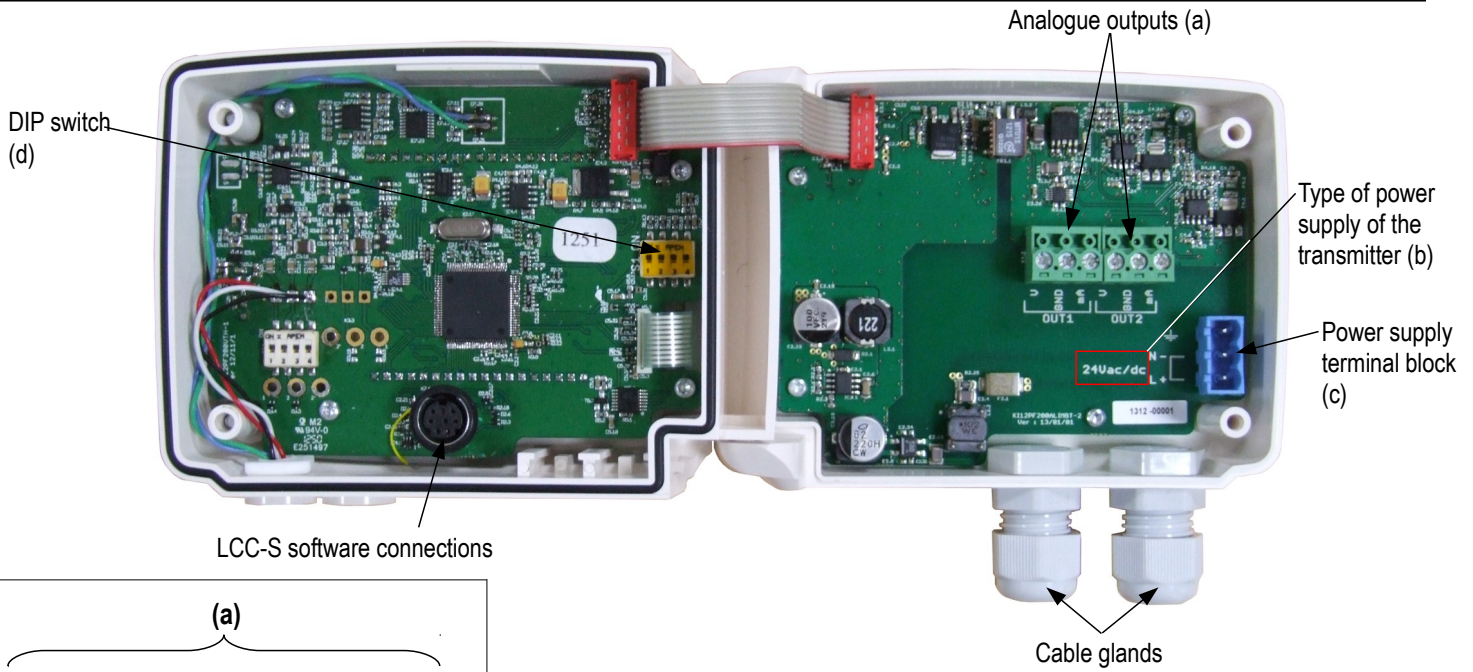
⁽¹⁾ PC : white polycarbonate

⁽²⁾ Stainless steel : 316 L

⁽³⁾ PTFE : white Teflon®

⁽⁴⁾ MnO₂ : manganese dioxide

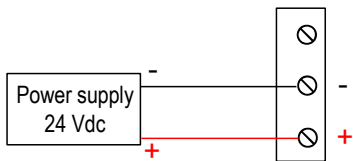
CONNECTIONS



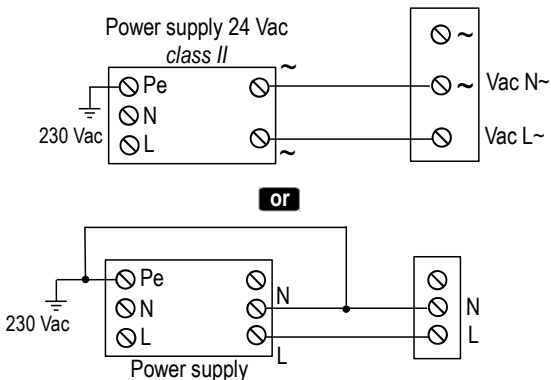
ELECTRICAL CONNECTIONS – as per *NFC15-100 standard*

⚠ This connection must be made by a qualified technician. To make the connection, the transmitter must not be energized. Before making the connection, you must first check the power supply indicated on the transmitter board (see (b) on “Connections” part).

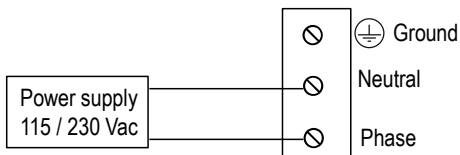
> **For transmitters with 24 Vdc power supply :**



> **For transmitters with 24 Vac power supply :**



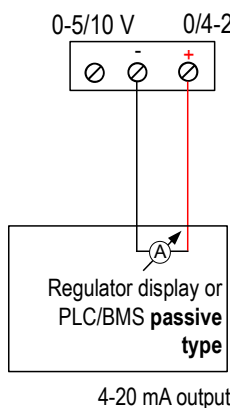
> **For transmitters with 115 or 230 Vac power supply :**



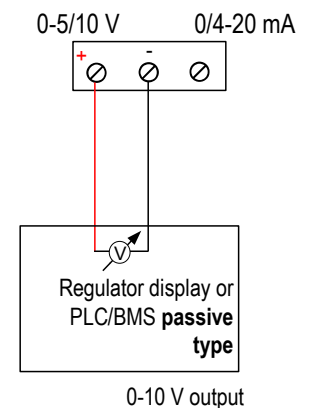
The selection of the output signal in voltage (0-10 V or 0-5 V) or in current (4-20 mA or 0-20 mA) is made via the DIP switch (d) of the electronic board of the transmitter : put the on-of switches as shown in the table below :

Configurations	4-20 mA	0-10 V	0-5 V	0-20 mA
Combinations	<p>1 2 3 4</p>	<p>1 2 3 4</p>	<p>1 2 3 4</p>	<p>1 2 3 4</p>

> **Connection of the output in current 4-20 mA :**



> **Connection of output in voltage 0-10 V :**



CONFIGURATION OF THE TRANSMITTERS

It is possible on the class 210 to configure all the parameters of the transmitter : units, measuring ranges, outputs, channels, calculation functions, etc, via different methods :

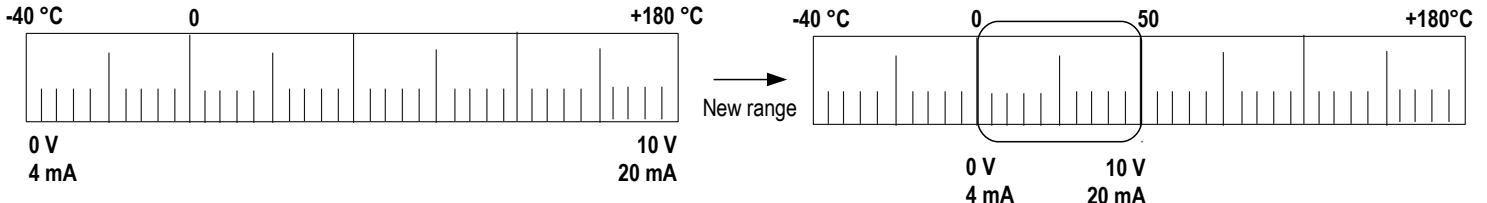
- **Keypad** for models with display : a code-locking system allows to secure the installation (See class 210 user manual).
- **Software** (optional) on all models. Simple user-friendly configuration. See LCC-SD user manual.

Configurable analogue output :

Range with center zero (-40/0/+40 °C), with offset zero (-30/0/+70 °C) or standard range (0/+100 °C), It is possible to configure your own intermediary ranges

Caution : the minimum difference between the high range and the low range is 20.

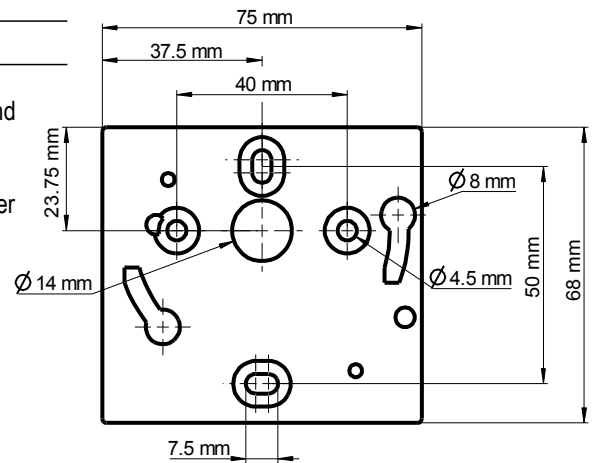
Configure the range according to your needs : outputs are automatically adjusted to the new measuring range



MOUNTING

To mount the transmitter, mount the ABS plate on the wall (drilling : $\varnothing 6$ mm, screws and pins are supplied).

Insert the transmitter on the fixing plate (see A on the drawing beside). Rotate the housing in clockwise direction until you hear a "click" which confirms that the transmitter is correctly installed.



CALIBRATION

Outputs diagnostic : With this function, you can check with a multimeter (or on a regulator / display, or a PLC / BMS) if the transmitter outputs work properly. The transmitter generates a voltage of 0 V, 5 V and 10 V or a current of 4 mA, 12 mA and 20 mA

Certificate : Class 210 transmitters are supplied with adjusting certificates. Calibration certificates are available as an option.

MAINTENANCE

Please avoid any aggressive solvent. Please protect the transmitter and its probes from any cleaning product containing formalin, that may be used for cleaning rooms or ducts.

OPTIONS AND ACCESSORIES

- **LCC-S** : configuration software with USB cable
- **Calibration certificate**
- Sliding fittings
- Connection fittings
- Cable glands
- Protections tips
- Wall-mounting support bracket for remote humidity probe

www.kimo.fr

Distributed by :



EXPORT DEPARTMENT

Tel : + 33. 1. 60. 06. 69. 25 - Fax : + 33. 1. 60. 06. 69. 29

e-mail : export@kimo.fr